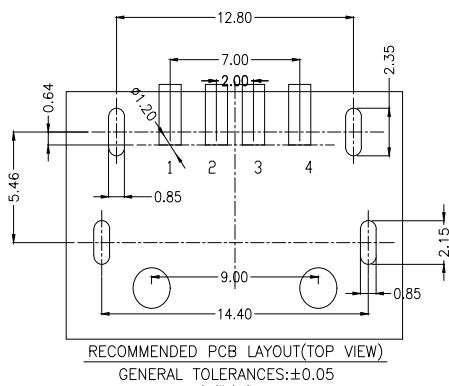
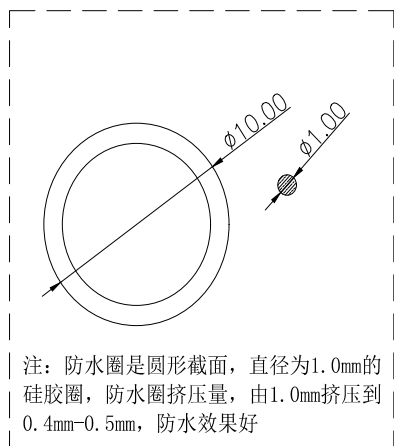
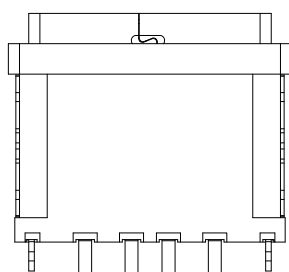
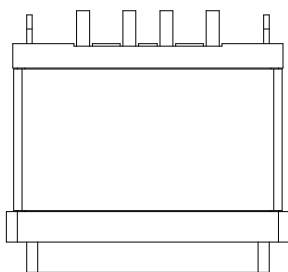
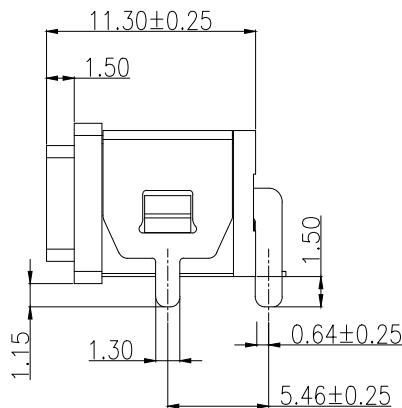
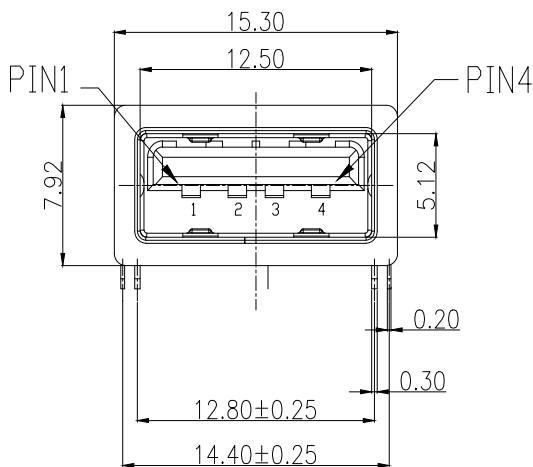


RoHS Compliant

Halogen Free

customer drawing



PIN ASSIGNMENT

PIN NO.	1	2	3	4
SINGAL NAME	VBUS	D-	D+	GND

规格说明:Specifications:

电气特性:Electrical:

1. 额定电流: Current Rating
1.5A/contact terminal
2. 额定电压: Voltage Rating
30V DC
3. 接触阻抗: Contact Resistance
50 milliohms MAX
4. 耐电压: Dielectric Withstanding Voltage:
300 V AC AT Sea Level
5. 绝缘阻抗: Insulation Resistance:
100MEGA ohms MIN

物理性能:Mechanical:

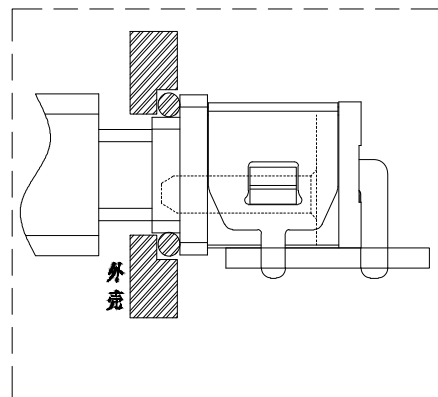
1. 插拔力: Connector Mate and Unmate Force
Mate force: $\leq 3.57\text{kgf}$
Unmate force: $\geq 1.02\text{kgf}$

原材料:Material:

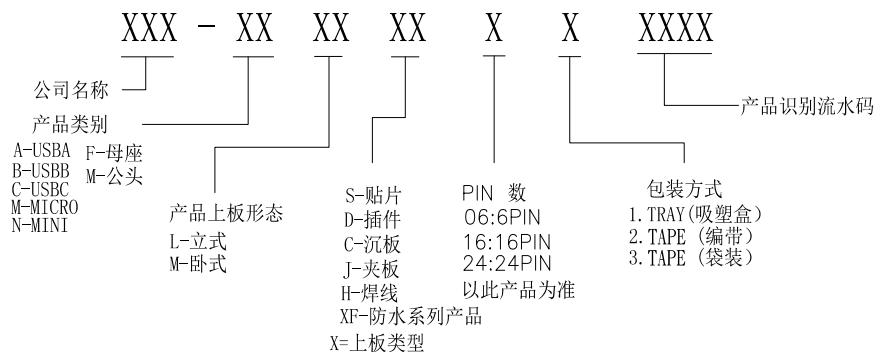
1. 塑胶:Housing:
Hing Temperature Thermoplastics,
PA10T/LCPBlack
2. 端子>Contact:Copper Alloy
3. 外壳:Shell: SUS

电镀:Finish:

1. 端子>Contact: Plated Gold in Mating Area;
Tin On Solder Talls
2. 外壳:Shell:
Nickel Plating



料号编码:



ZDX 深圳市兆达鑫科技有限公司
Shenzhen zhaodaxin Technology Co., Ltd

TITLE: USB AF防水母座 卧式四脚插板 端子SMT 正向 工程图		PART NO.:ZDX-AFMSF042JD03	
		TEL:0755-29888153	
		WEB: https://szzhaodaxin.com/	
THIRD ANGLE PROJECTION	UNIT: mm	SCALE: 1:1	SIZE: A4
			SHEET: 1/1