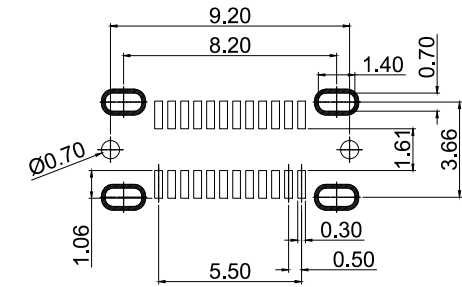
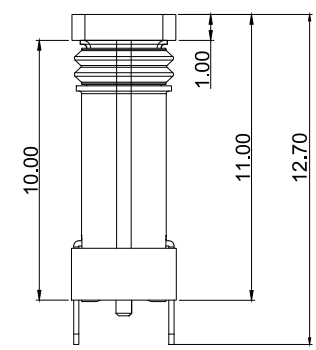
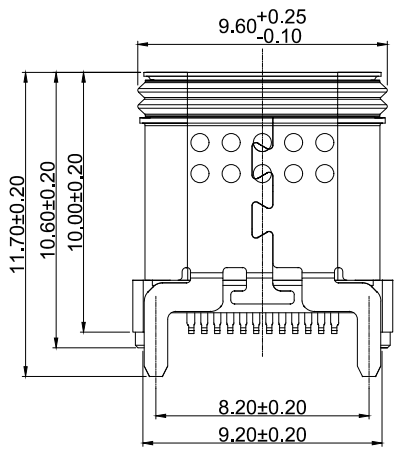
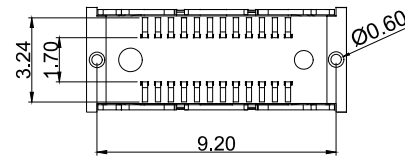
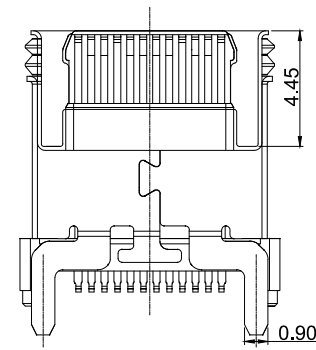
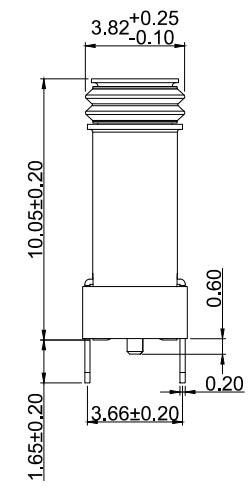
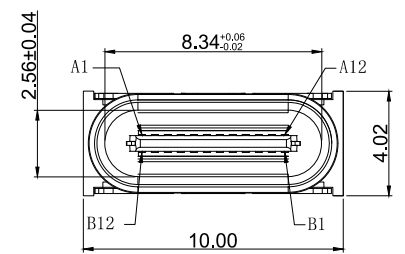
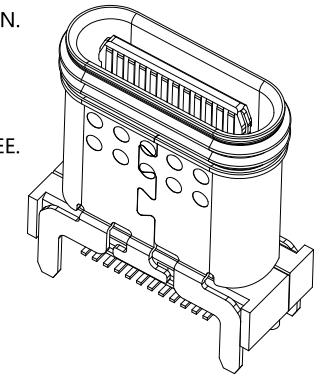


REV.	ECR#	DESCRIPTION	DATE	DRAWN	CHECKED	APPROVED



RECOMMEND P.C.B LAYOUT
TOLERANCE UNSPECIFIED ±0.05mm

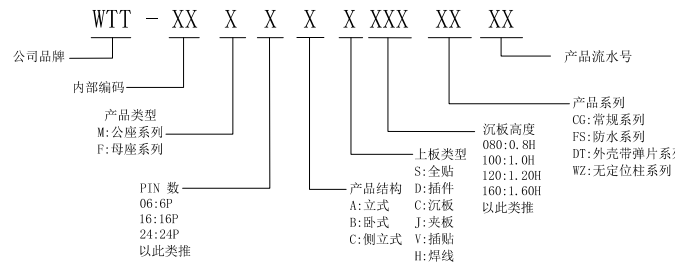
- NOTES :
- MATERIAL : SEE TABLE
 - ELECTRICAL CHARACTERISTIC:
 - CONTACT CURRENT RATING:
VBUS AND GND CONTACTS RATED AT 1.25A EA, PARALLELED FOR A TOTAL OF 5A.
 - LOW LEVEL CONTACT RESISTANCE:
40 MILLIOHMS MAX. FOR VBUS,GND AND OTHER CONTACTS.
50 MILLIOHMS MAX. AFTER ENVIRONMENT TEST.
 - DIELECTRIC WITHSTANDING VOLTAGE: 100VAC (RMS)MIN.
 - INSULATION RESISTANCE: 100 MEGOHMS MIN.
 - MECHANICAL CHARACTERISTIC:
 - INSERTION FORCE: 5~20N.
 - EXTRACTION FORCE: 8~20N,AFTER 10000 MATING:6~20N.
 - DURABILITY: 10000 CYCLES.
 - OPERATING TEMPERATURE: -55°C ~ +85°C.
 - CAN MEET USB 2.0+ POWER DELIVERY.
 - IR REFLOW TEMPERATURE:245±5°C
 - THE CONNECTOR COMPLIANT TO ROHS AND HALOGEN FREE.
 - MEET USB TYPE C STANDARD SPECIFICATION.
 - MEET WATERPROOF STANDARD SPECIFICATION IP68.



PIN ASSIGNMENT													SHELL
A1	A2	A3	A4	A5	A6	A7	A8	A9	A10	A11	A12	GND	
GND	TX1+	TX1-	VBUS	CC1	D+	D-	SBU1	VBUS	RX2-	RX2+	GND		GND
GND	RX1+	RX1-	VBUS	SBU2	D-	D+	CC2	VBUS	TX2-	TX2+	GND		
B12	B11	B10	B9	B8	B7	B6	B5	B4	B3	B2	B1		

NO.	DESCRIPTION	Q'TY	MATERIAL	THE PLATING
⑦	O-RING	1	SILICONE RUBBER	BLACK
⑥	TOP CONTACT	12	C7025	NI 50µ" MIN AND Au 1µ" PLATED ON CONTACT POINT NI 50µ" MIN AND TIN 100µ"MIN PLATED ON SOLDER AREA
⑤	BOTTOM CONTACT	12	C7025	NI 50µ" MIN AND Au 1µ" PLATED ON CONTACT POINT NI 50µ" MIN AND TIN 100µ"MIN PLATED ON SOLDER AREA
④	SHELL	1	SUS304	WELDABLE NI 30µ"NI PLATED OVERALL
③	EMC SHELL	1	SUS316	WATER CLEAN
②	HOUSING	1	LCP	BLACK;UL94 V-0
①	MIDDLE PLATE	1	SUS301	WATER CLEAN
NO.	DESCRIPTION	Q'TY	MATERIAL	THE PLATING

料号编码:



Part Number		Product Description		
WTT-39F24AV105FS01		TYPE-C 24PIN Vertical SMD H10.5MM U-Shaped Waterproof Female Connector IP68		
CUSTOMER DRAWING				
DRAWN	Zhang Xincheng	Tolerances (Except as Noted) GENERAL TOLERANCE: X. ± 0.40 X.X ± 0.30 X.XX ± 0.20 X.XXX ± 0.10	Units: Metric (mm)	
CHECKED	Xiong fangyuan			
APPROVED	Huangshaohuang			
Drawing Date	22/05/24			
3rd Angle Projection				

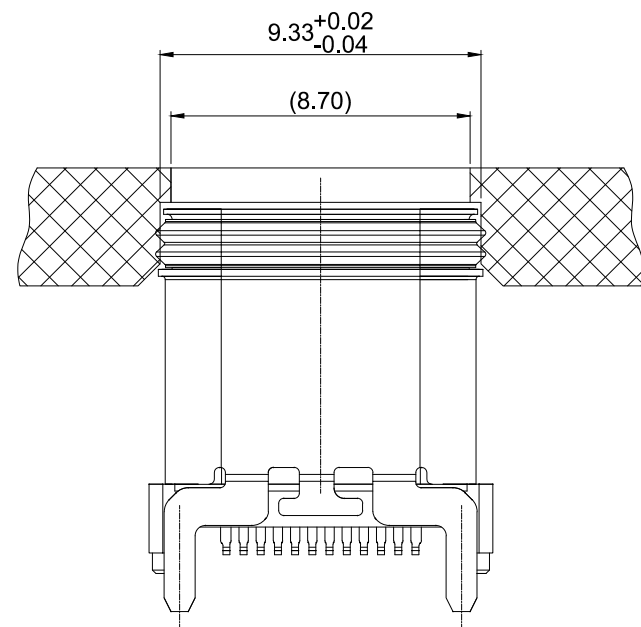
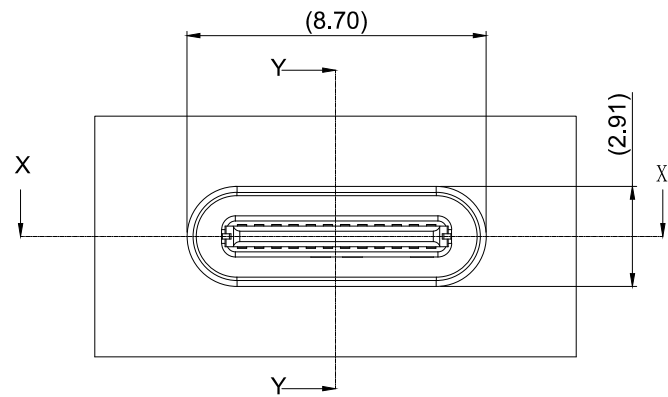
WTT®

用心连接世界

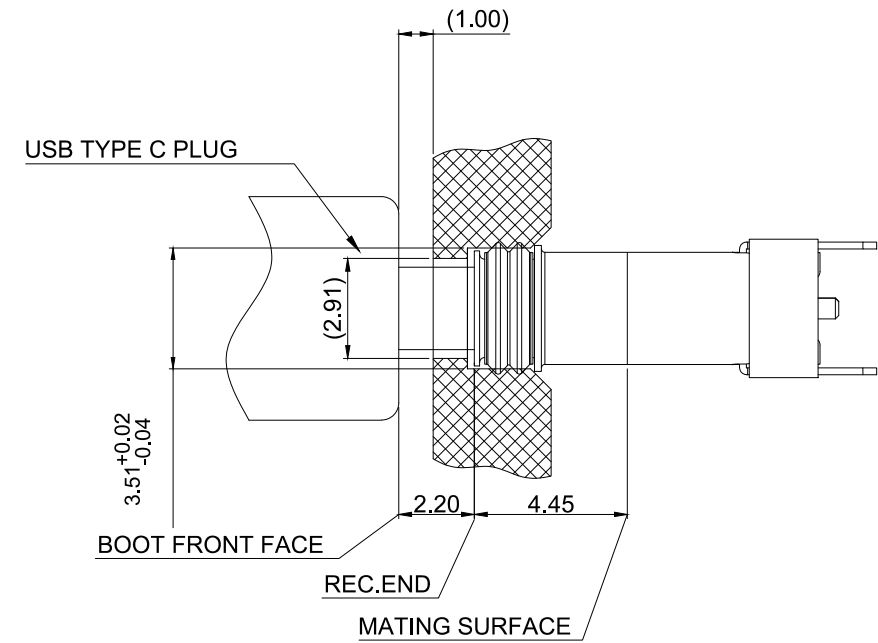
SCALE 1:1	SIZE: A4	SHEET: 1 or 2
--------------	-------------	------------------

REV.	ECR#	DESCRIPTION	DATE	DRAWN	CHECKED	APPROVED

RECOMMENDED OPENING DIMENSIONS OF CASE MATING AREA WITH SEALING RING



SECTION X-X



SECTION Y-Y

Part Number		Product Description		
WTT-39F24AV105FS01		TYPE-C 24PIN Vertical SMD H10.5MM U-Shaped Waterproof Female Connector IP68		
CUSTOMER DRAWING				
DRAWN	Zhang Xincheng	Tolerances (Except as Noted) GENERAL TOLERANCE: X. ± 0.40 X.X ± 0.30 X.XX ± 0.20 X.XXX ± 0.10	Units: Metric (mm)	
CHECKED	Xiong fangyuan			
APPROVED	Huangshaohuang			
Drawing Date	22/05/24			

WTT®

用心连接世界

SCALE 1:1	SIZE: A4	SHEET: 2 of 2
--------------	-------------	------------------