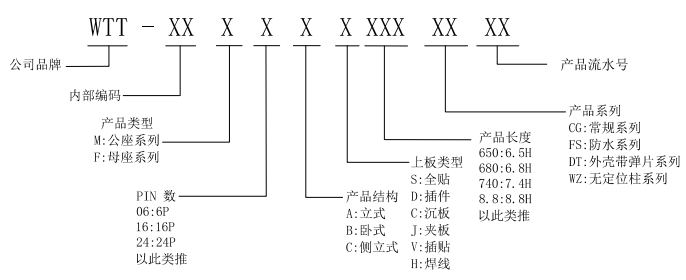
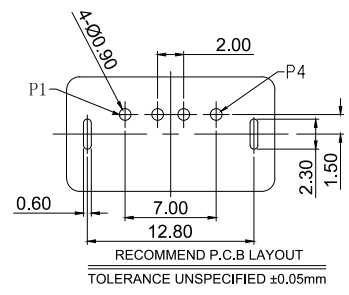
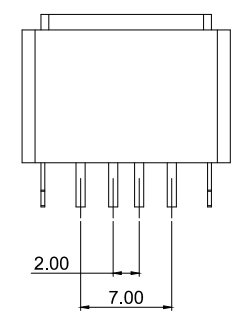
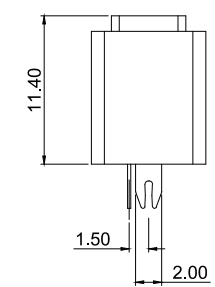
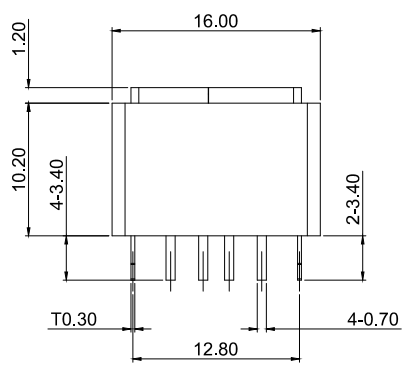
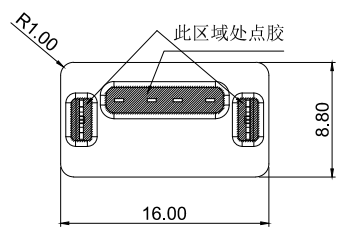
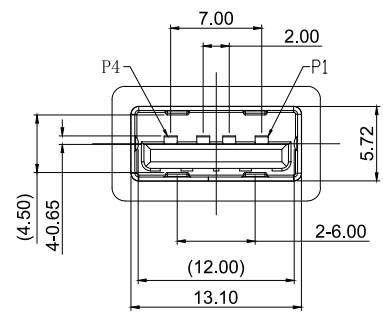
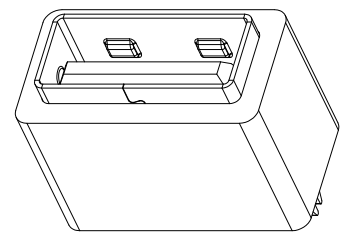


REV.	ECR#	DESCRIPTION	DATE	DRAWN	CHECKED	APPROVED



- NETOS:**
- 一.电气特性:Electrical:
- 1.额定电流: Current Rating : 1.5A/contact terminal.
  - 2.额定电压: Voltage Rating: 30V DC.
  - 3.接触阻抗:Contact Resistance: 30 milliohms MAX.
  - 4.耐电压:Dielectnic Withstanding Voitage: 100 V AC AT Sea Level.
  - 5.绝缘阻抗:Lnsulation Resistance: 1000 MΩ Mlin.
- 二.物理性能:Mechanical:
- 1.插拔力: Cnnector Mate and Unmate Force: Mate force:3.57kgf(MAX). Unmate force:1.02kgf(MIN) .
- 三.原材料:Material:
- 1.塑胶:Housing: HIGH-TEMPERATURE PLASTIC. BLACK. UL 94 V-0.
  - 2.端子: COPPER ALLOY. T0.25mm.
  - 3.外壳: STAINLESS STEEL.T0.30mm.
  - 4.护套: HIGH-TEMPERATURE PLASTIC. BLACK,UL94V-0.
  - 5.防水圈: 硅胶 60D. 黑色.
  - 6.防尘塞: HIGH-TEMPERATURE PLASTIC. BLACK. UL 94 V-0.
- 四.电镀:Finish:
- 1.端子: PIATED GOLD IN MATING AREA. TIN ON SOLDER TALLS. BOTTOM PLATING NICKEL.
  - 2.外壳: NICKEL PLATING.
- 五.盐雾: 24H.



**PIN ASSIGNMENT:**

PIN NO.	1	2	3	4
SINGAL NAME	VBUS	D-	D+	GND

Part Number		Product Description		
WTT-22F04AD114FS01		USB AF2.0 Direct Plug H11.40MM Waterproof Female Socket		
CUSTOMER DRAWING				
DRAWN	Zhang Xincheng	Tolerances (Except as Noted) GENERAL TOLERANCE: X.X ± 0.40 X.XX ± 0.35 X.XXX ± 0.25 X.XXX ± 0.20	Units: Metric (mm)	
CHECKED	Xiong fangyuan			
APPROVED	Huangshaohuang			
Drawing Date	22/05/24			
3rd Angle Projection		SCALE 1:1		

**WTT®**

用心连接世界

SCALE 1:1    SIZE: A4    SHEET: 1 or 1