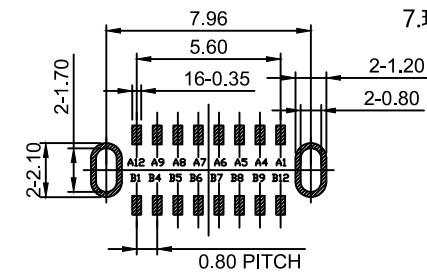
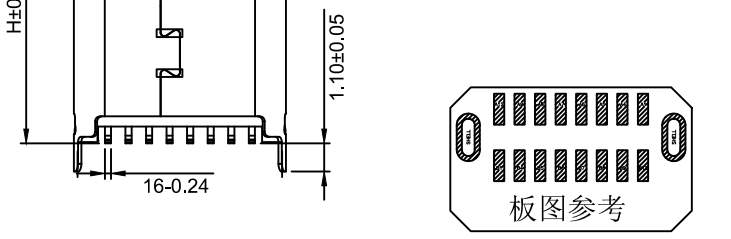
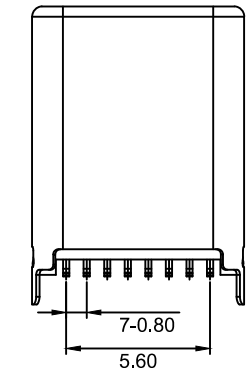
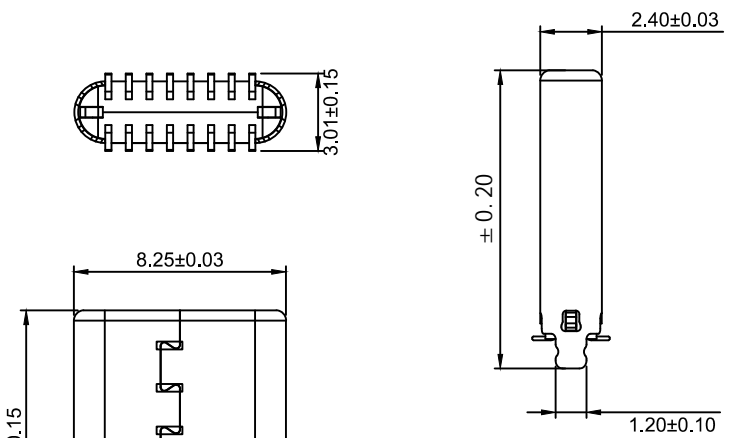
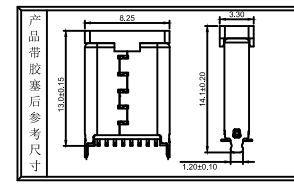
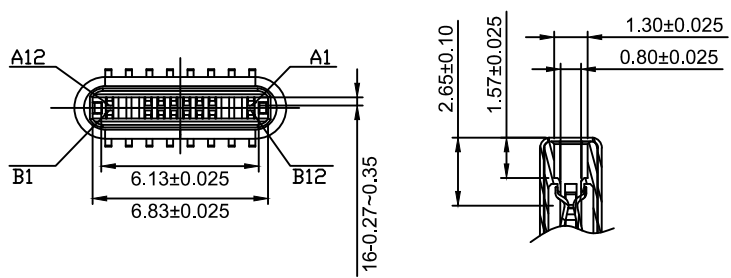


REV.	ECR#	DESCRIPTION	DATE	DRAWN	CHECKED	APPROVED



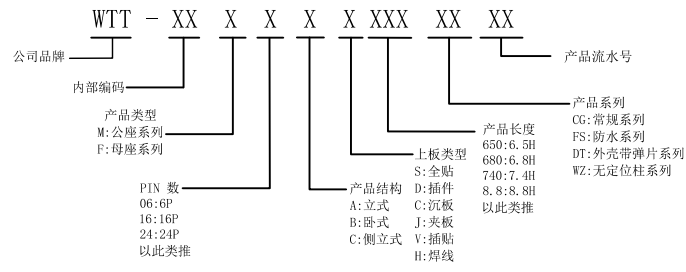
RECOMMENDED PCB LAYOUT (t=0.80±0.05)  
COMPONENT SIDE (GENERAL TOLERANCE: ±0.05)

备注:

1. 原材料
  - 1.1 塑胶材质: LCP+30%GF 94V-0 黑色
  - 1.2 端子材质: C5159-EH T=0.20MM
  - 1.3 卡钩材质: SUS 201-H T=0.35MM
  - 1.4 壳子材质: SUS 201-1/2H T=0.15MM
2. 机械性能:
  - 2.1 插入力: 6~20N, 插拔10000次后5~20N.
  - 2.2 拔出力: 8~20N, 插拔10000次后6~20N.
  - 2.3 耐久寿命10000 CYCLES.
3. 电气性能:
  - 3.1 额定电流: 1A MIN FOR VBUS; 0.25A MIN FOR OTHER .
  - 3.2 额定电压: 5V MAX.
  - 3.3 耐压: 100V AC.
  - 3.4 接触阻抗: 30mΩ MAX (Initial), 30mΩ ± 20 MAX (10000次试验后) .
  - 3.5 绝缘阻抗: 100MΩ MIN.
4. 电镀规格:
  - 4.1 端子: 镍底40u"Min 接触点镀金G/F" 焊接处镀锡20-40U"
  - 4.2 外壳: 哑镍 表面镀镍40u"Min 盐雾24H
  - 4.3 卡钩: 前镍后锡 镍20u"Min 后端镀锡20-40U"
5. 环境温度: 温度范围: -30°C ~ +85°C.
6. 包装方式: 卷带 500PCS/卷
7. 环保要求: ROHS REACH

H=产品高度 (MM)							
9.0	9.5	10.00	10.50	11.00	11.50	12.00	12.50 13.00

A1	GND	B12	GND
A2		B11	
A3		B10	
A4	VBUS	B9	VBUS
A5	CC1	B8	SBU2
A6	DP1	B7	DN2
A7	DN1	B6	DP2
A8	SBU1	B5	CC2
A9	VBUS	B4	VBUS
A10		B3	
A11		B2	
A12	GND	B1	GND
PIN	SIGNAL NAME	PIN	SIGNAL NAME



Part Number		Product Description	
ZDX-CMLS162YH-XX		TYPE-C 16PIN直立式贴片公头H=9.0-13.0MM	
CUSTOMER DRAWING			
DRAWN	Zhang Xincheng	Tolerances (Except as Noted)	Units:
CHECKED	Xiong fangyuan	GENERAL TOLERANCE:	Metric (mm)
APPROVED	Huangshaohuang	X. ± 0.50	
Drawing Date	22/05/24	X.X ± 0.30	
		X.XX ± 0.10	
		X.XXX ± 0.05	

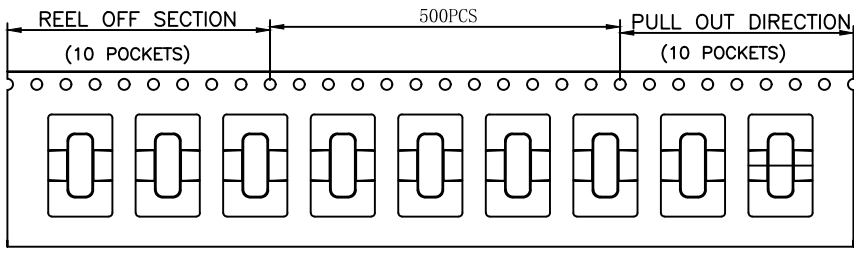
**WTT®**

用心连接世界

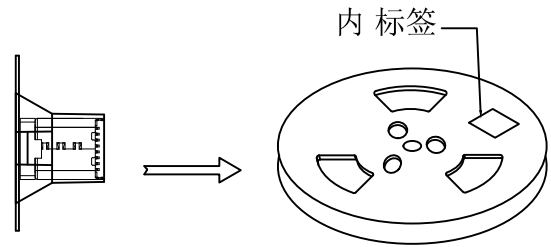
SCALE	SIZE:	SHEET:
1:1	A4	1 or 2



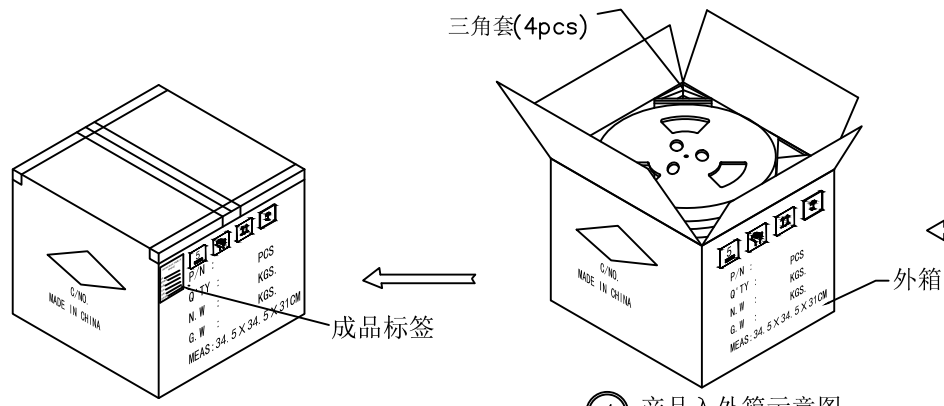
REV.	ECR#	DESCRIPTION	DATE	DRAWN	CHECKED	APPROVED



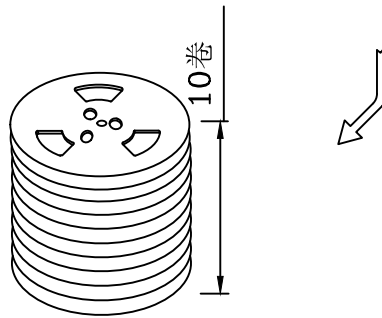
① 产品入载带示意图



② 卷盘贴标签示意图



④ 产品入外箱示意图



③ 10盘产品叠层示意图

⑤ 外箱封箱示意图

包装说明:

- 1.将检验好的成品;对插口朝前放入载带;每卷装500PCS产品;具体如图一所示
- 2.将包装好的产品;每盘必需贴上内标签;具体如图二所示
- 3.将贴好内标签的产品每10盘叠;具体如图三所示
- 5.装好后并封好纸箱及贴好相关标签;具体如图五所示;  
(产品包装的标签,如客户有要求,请按客户要求包装出货)
- 6.载带前面留10PCS空格,后面留10PCS空格
- 7.COVER与CARRY剥离力:50-125g,速度:300mm/分钟左右,剥离角度:165°-180°

	REEL	CARTON
CONNECTOR (PCS)	500	5000

Part Number		Product Description		
ZDX-CMLS162YH-XX		成品包装图纸		
CUSTOMER DRAWING				
DRAWN	Zhang Xincheng	Tolerances (Except as Noted) GENERAL TOLERANCE: X. ± 0.50 X.X ± 0.30 X.XX ± 0.10 X.XXX ± 0.05	Units: Metric (mm)	
CHECKED	Xiong fangyuan			
APPROVED	Huangshaohuang			
Drawing Date	22/05/24			

**WTT**®  
用心连接世界

SCALE 1:1	SIZE: A4	SHEET: 2 or 2
--------------	-------------	------------------