

RoHS Compliant

Halogen Free

customer drawing

规格说明:Specifications:

电气特性:Electrical:

1. 额定电流: Current Rating
3.1A/contact terminal
2. 额定电压: Voltage Rating
30V DC
3. 接触阻抗: Contact Resistance
30 milliohms MAX
4. 耐电压: Dielectric Withstanding Voltage:
500 V AC AT Sea Level
5. 绝缘阻抗: Insulation Resistance:
1000MEGA ohms MIN

物理性能:Mechanical:

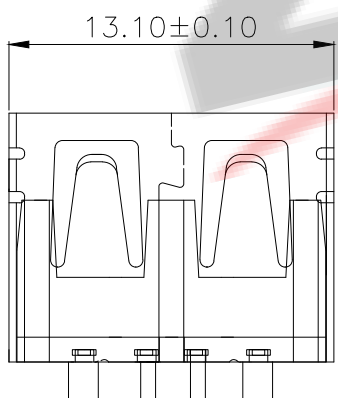
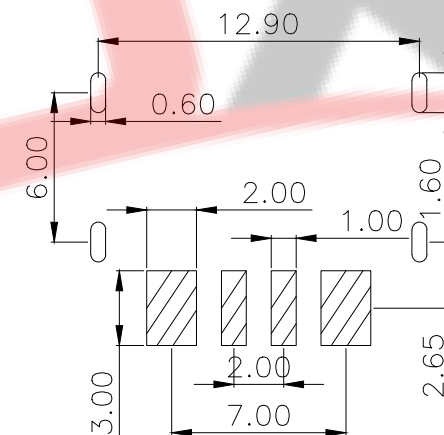
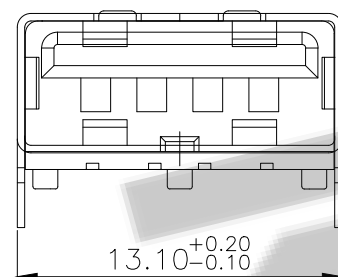
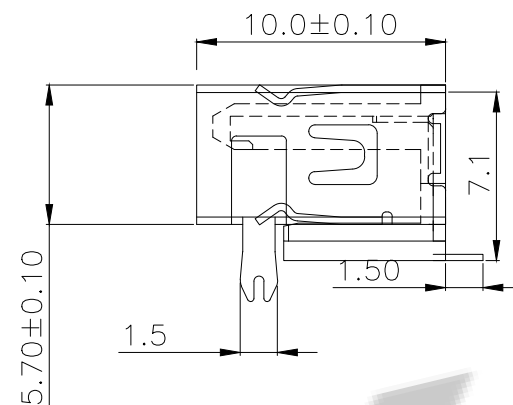
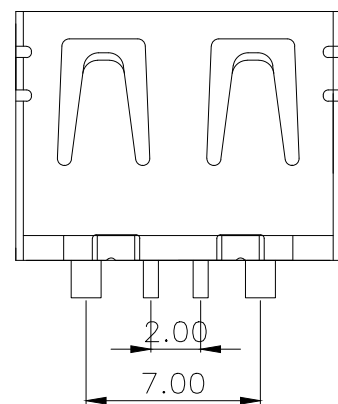
1. 插拔力: Connector Mate and Unmate Force
Mate force:3.57kgf(MAX)
Unmate force:1.02kgf(MIN)
2. 端子保持力: Terminal Retention
1.0kgf(MIN)

原材料:Material:

1. 塑胶:Housing:
High Temperature Thermoplastics,
2. 端子:Contact:Copper Alloy C2680
3. 外壳:Shell: Copper Alloy C2680/SPCC

电镀:Finish:

1. 端子:Contact: Plated Gold in Mating Area;
Tin On Solder Tails
2. 外壳:Shell:
铜壳四周镀80U"(MIN) 锡
Nickel Plating



RECOMMENDED P.C.B LAYOUT

ZDX 深圳市兆达鑫科技有限公司
Shenzhen zhaodaxin Technology Co., Ltd

TITLE: USB 卧式两脚直边贴板 无耳大电流 H7.1 工程图		PART NO.:ZDX-AFMS041GD05		
		TEL:0755-29888153		
		WEB: http://www.szzdjmkj.com/		
THIRD ANGLE PROJECTION	UNIT: mm	SCALE: 1:1	SIZE: A4	SHEET: 1/1