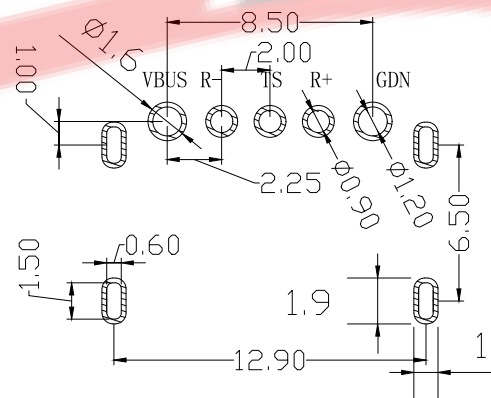
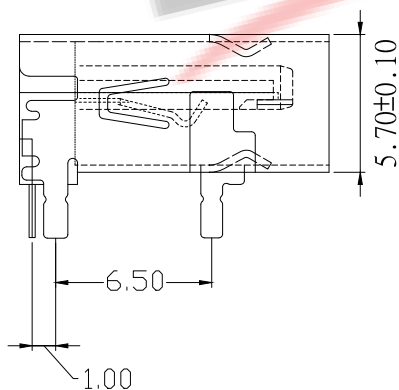
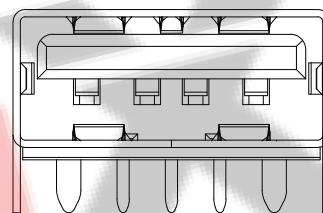
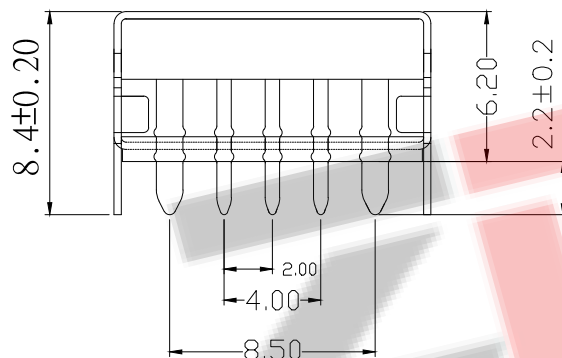
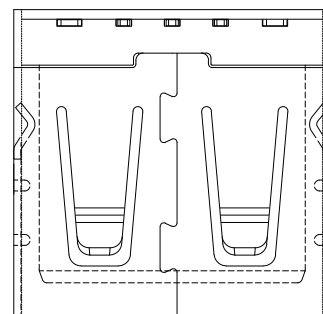
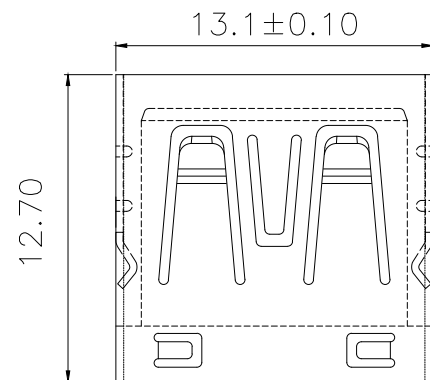


RoHS Compliant

Halogen Free

customer drawing



RECOMMENDED P.C.B LAYOUT

规格说明: Specifications:

电气特性: Electrical:

1. 额定电流: Current Rating  
3.0A/contact terminal
2. 额定电压: Voltage Rating  
30V DC
3. 接触阻抗: Contact Resistance  
30 milliohms MAX
4. 耐电压: Dielectric Withstanding Voltage:  
300 V AC AT Sea Level
5. 绝缘阻抗: Insulation Resistance:  
1000MEGA ohms MIN

物理性能: Mechanical:

1. 插拔力: Connector Mate and Unmate Force  
Mate force: 3.0kgf (MAX)  
Unmate force: 0.7kgf (MIN)
2. 端子保持力: Terminal Retention  
1.2kgf (MIN)

原材料: Material:

1. 塑胶: Housing:  
High Temperature Thermoplastics,  
UL 94V-0 PA66 Green/Red
2. 端子: Contact: Copper Alloy C2680

电镀: Finish:

1. 端子: Contact: Plated Gold in Mating Area;  
Tin On Solder Tails
2. 外壳: Shell:  
Nickel Plating

**ZDX** 深圳市兆达鑫科技有限公司  
Shenzhen zhaodaxin Technology Co., Ltd

TITLE: USB卧式大电流5P OPPO 工程图		PART NO.: ZDX-AFMS041GD04		
THIRD ANGLE PROJECTION		TEL: 0755-29888153		
UNIT: mm		WEB: <a href="http://www.szzdjmj.com/">http://www.szzdjmj.com/</a>		
SCALE: 1:1		SIZE: A4	SHEET: 1/1	