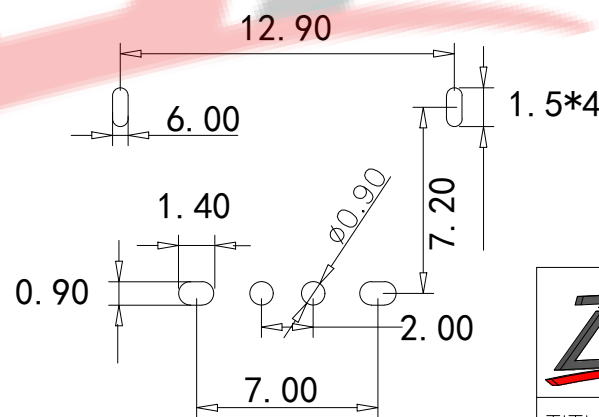
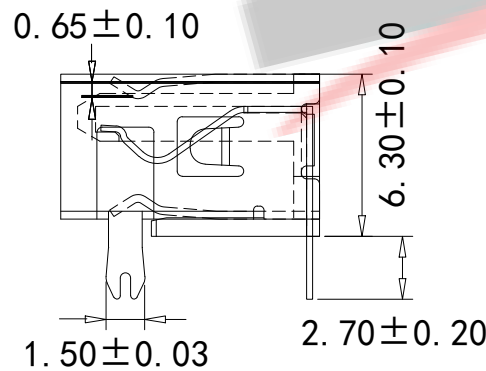
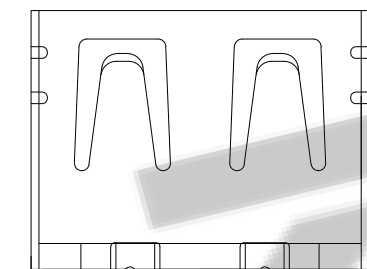
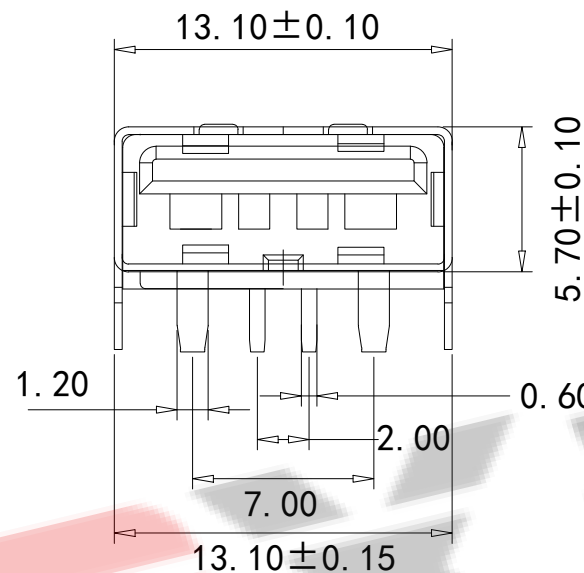
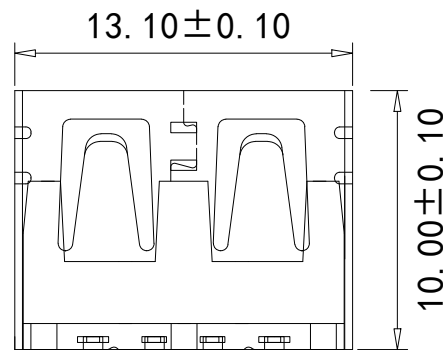


RoHS Compliant

Halogen Free

customer drawing



RECOMMENDED P.C.B LAYOUT

规格说明: Specifications:

电气特性: Electrical:

1. 额定电流: Current Rating  
3.0A/contact terminal
2. 额定电压: Voltage Rating  
30V DC
3. 接触阻抗: Contact Resistance  
30 milliohms MAX
4. 耐电压: Dielectric Withstanding Voltage:  
500 V AC AT Sea Level
5. 绝缘阻抗: Insulation Resistance:  
1000MEGA ohms MIN

物理性能: Mechanical:

1. 插拔力: Connector Mate and Unmate Force  
Mate force: 3.57kgf (MAX)  
Unmate force: 1.02kgf (MIN)
2. 端子保持力: Terminal Retention  
1.0kgf (MIN)

原材料: Material:

1. 塑胶: Housing:  
High Temperature Thermoplastics,
2. 端子: Contact: Copper Alloy C2680
3. 外壳: Shell: Copper Alloy C2680/SPCC

电镀: Finish:

1. 端子: Contact: Plated Gold in Mating Area;  
Tin On Solder Tails  
端子四周镀30-50" (MIN) 镍底, 刷金1U"
2. 外壳: Shell:  
铁壳四周镀50-80" (MIN) 镍底,  
Nickel Plating



深圳市兆达鑫科技有限公司

Shenzhen zhaodaxin Technology Co., Ltd

TITLE:		PART NO.: ZDX-AFMD041GD03		
6.3前脚直边90度大电流 工程图		TEL: 0755-29888153		
		WEB: <a href="http://www.szzdjmkj.com/">http://www.szzdjmkj.com/</a>		
THIRD ANGLE PROJECTION	UNIT:	SCALE:	SIZE:	SHEET:
	mm	1:1	A4	1/1