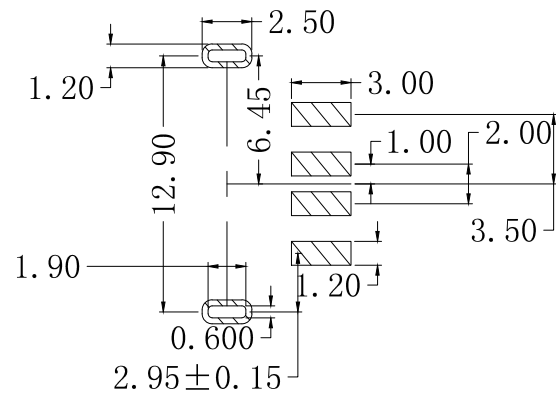
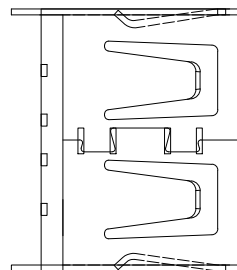
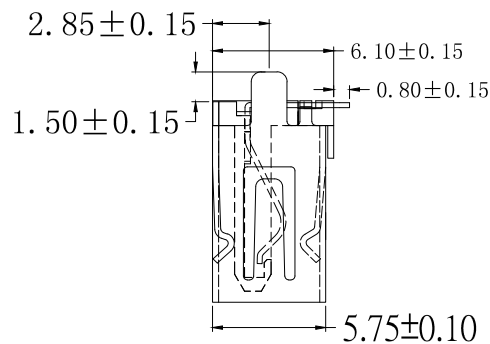
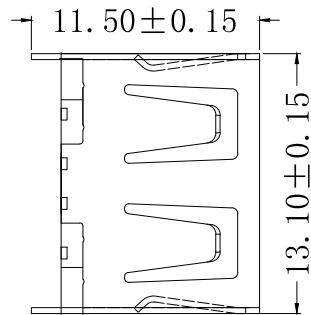
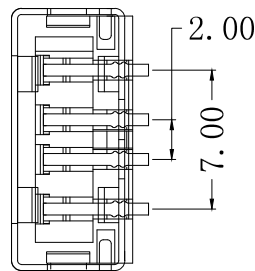


RoHS Compliant

Halogen Free

customer drawing



规格说明: Specifications:

电气特性: Electrical:

1. 额定电流: Current Rating  
1.5A/contact terminal
2. 额定电压: Voltage Rating  
30V DC
3. 接触阻抗: Contact Resistance  
30 milliohms MAX
4. 耐电压: Dielectric Withstanding Voltage:  
500 V AC AT Sea Level
5. 绝缘阻抗: Insulation Resistance:  
1000MEGA ohms MIN

物理性能: Mechanical:

1. 插拔力: Connector Mate and Unmate Force  
Mate force: 3.57kgf (MAX)  
Unmate force: 1.02kgf (MIN)
2. 端子保持力: Terminal Retention  
1.0kgf (MIN)

原材料: Material:

1. 塑胶: Housing:  
High Temperature Thermoplastics,
2. 端子: Contact: Copper Alloy C2680
3. 外壳: Shell: Copper Alloy C2680/SPCC

电镀: Finish:

1. 端子: Contact: Plated Gold in Mating Area;  
Tin On Solder Tails
- 端子四周镀50U" (MIN) 锡, 镀金1U"
2. 外壳: Shell:  
铜壳四周镀80U" (MIN) 镍  
Nickel Plating

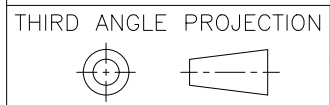


深圳市兆达鑫科技有限公司

Shenzhen zhaodaxin Technology Co., Ltd

TITLE:  
USB AF立贴10.0 直边针长0.8  
工程图

PART NO.: ZDX-AFLS042YZ02  
TEL: 0755-29888153  
WEB: <https://szzhaodaxin.com/>



|                        |       |        |       |        |
|------------------------|-------|--------|-------|--------|
| THIRD ANGLE PROJECTION | UNIT: | SCALE: | SIZE: | SHEET: |
|                        | mm    | 1:1    | A4    | 1/2    |