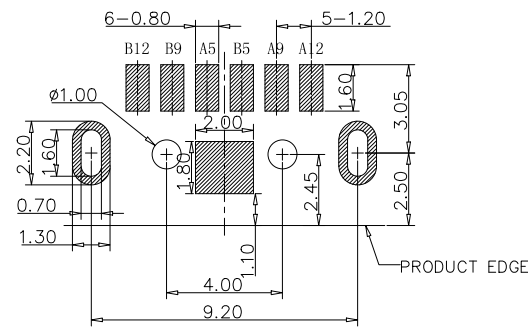
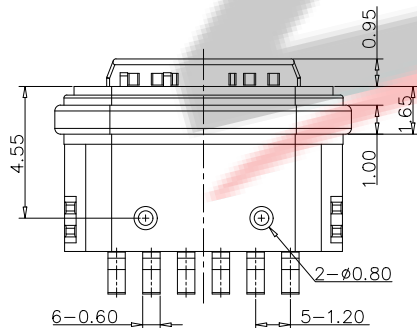
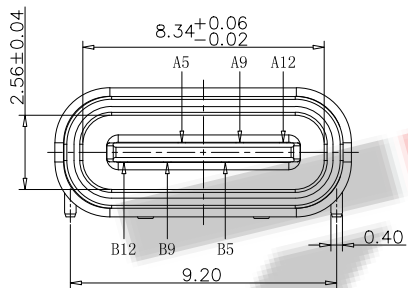
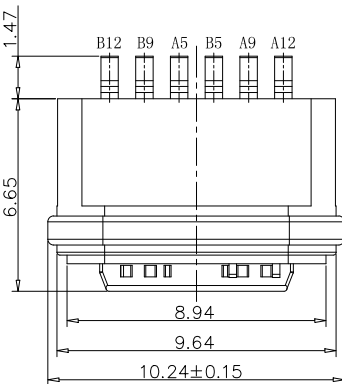


RoHS Compliant

Halogen Free



RECOMMEND P.C.B LAYOUT (COMPONENT SIDE)
TOLERANCE FOR PCB LAYOUT IS ±0.05

customer drawing

- 备注 (NOTE):
- 电气特性:
 - 接触区: 接触电阻40mΩ Max, 允许10mΩ变化量. 测试条件: 20mv, 100mA下测量.
 - 接触电流: 3A最大 VBUS和GND引脚; 其他引脚为0.25A.
 - 额定电压: 5V.
 - 耐电电压: 100VAC.
 - 绝缘电阻: 至少100兆欧.
 - 机械性能:
 - 插入力: 0.5-2.0Kg
 - 拔出力: 0.6-2.04Kg
 - 插拔次数: 10000次.
 - 可焊性: 温度210-230℃, 时间10秒.
 - 工作环境: -20℃ to +85℃.

USB TYPE C PIN ASSIGNMENTS

PIN NUMBER	SIGNAL NAME	PIN NUMBER	SIGNAL NAME
		B12	GND
		B9	VBUS
A5	CC1	B5	CC2
A9	VBUS		
A12	GND		

料号编码:

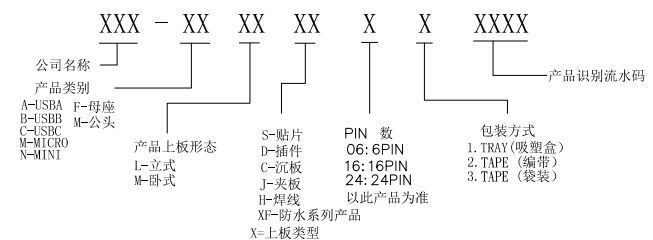


TABLE:

NO	PART	Q'TY	Material
1	SHELL	1	ZINC ALLOY, NI30u"Min PLATED
2	CONTACT	6	C2680, TIN80u"/Au1u"/NI30u" PLATED
3	1MD HOUSING	1	HIGH TEMPERATURE RESISTANT PLASTIC BLACK UL94 V-0
4	WATERPROOF RING	1	SILICONE UL94 V-0 BLACK

ZDX 深圳市兆达鑫科技有限公司
Shenzhen zhaodaxin Technology Co., Ltd

TITLE: TYPE C 6P 板上防水母座L=6.65mm (U型锌合金外壳)
PART NO.: ZDX-CFMSF062AL13
TEL: 0755-29888153
WEB: http://www.szzdjmj.com/

工程图

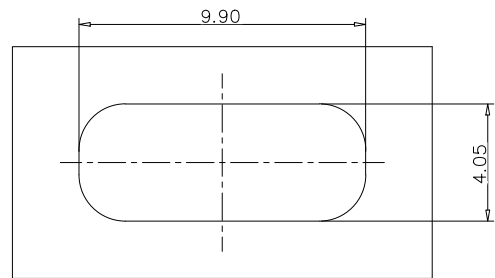
THIRD ANGLE PROJECTION

UNIT: mm	SCALE: 1:1	SIZE: A4	SHEET: 1/2
----------	------------	----------	------------

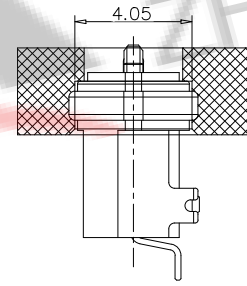
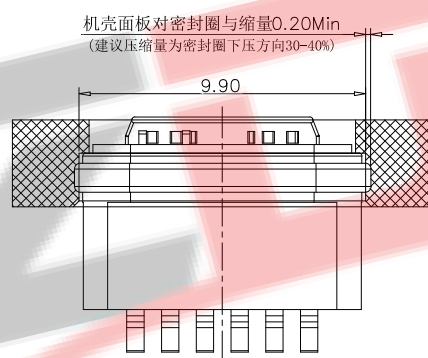
RoHS Compliant

Halogen Free

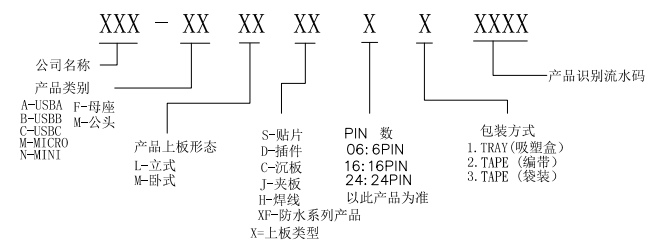
customer drawing



密封开孔参考尺寸(只供参考)
组装外壳时需要打环保润滑油



料号编码:



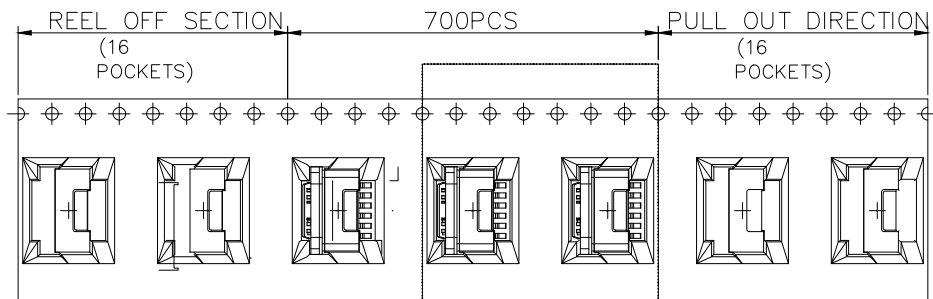
ZDX 深圳市兆达鑫科技有限公司
Shenzhen zhaodaxin Technology Co., Ltd

TITLE: U型密封建议尺寸		PART NO.: ZDX-CFMSF062AL13		
工程图		TEL: 0755-29888153		
THIRD ANGLE PROJECTION		WEB: http://www.szzdjmkj.com/		
	UNIT: mm	SCALE: 1:1	SIZE: A4	SHEET: 1/2

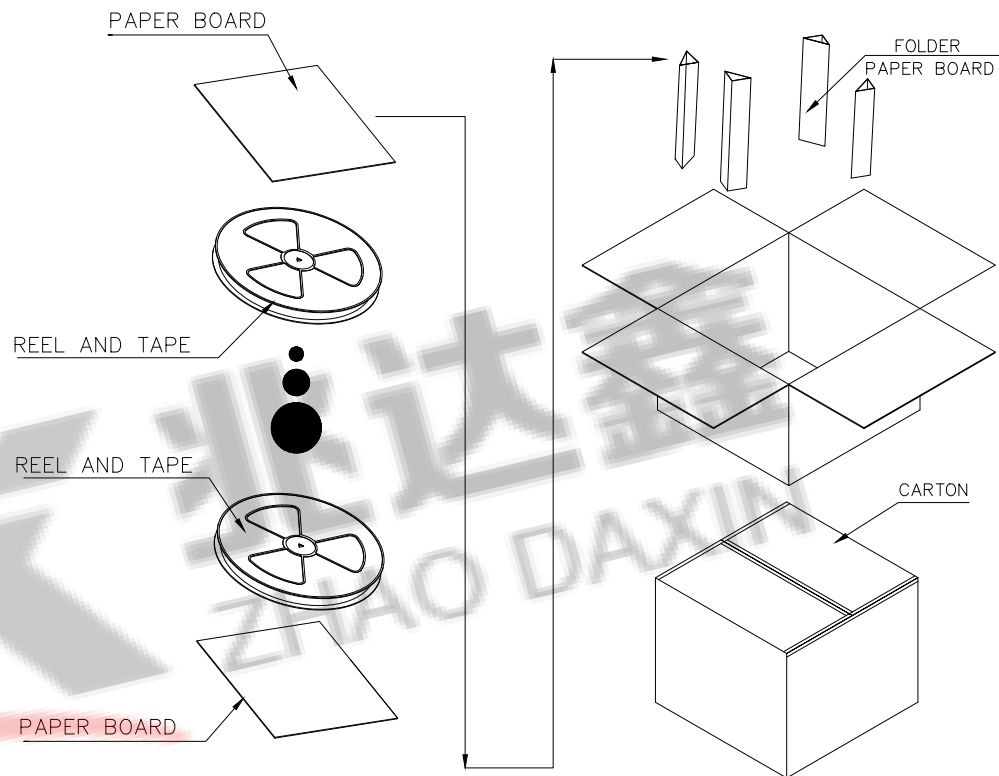
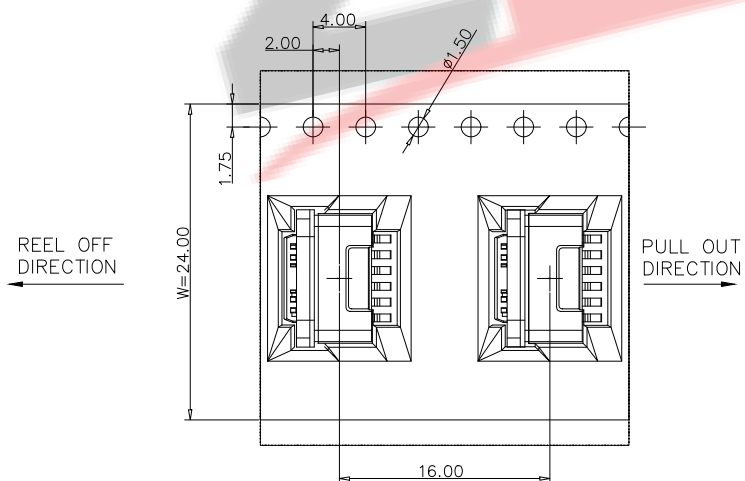
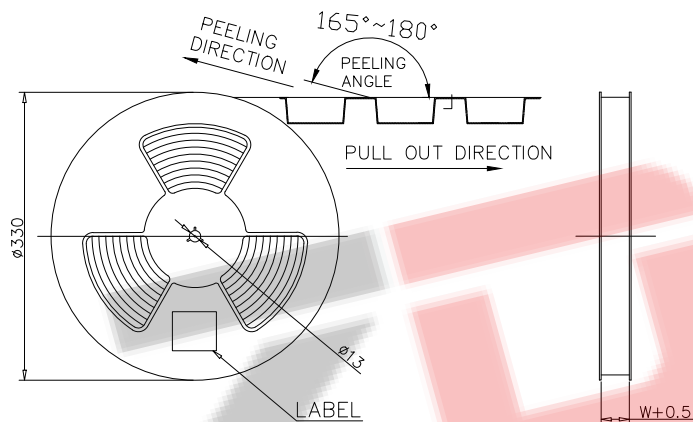
RoHS Compliant

Halogen Free

customer drawing



SEE DETAIL X



	REEL	CARTON
CONNECTOR (PCS)	700	7000

ZDX 深圳市兆达鑫科技有限公司
Shenzhen zhaodaxin Technology Co., Ltd

TITLE:		PART NO.: ZDX-CFMSF062AL13		
TYPE C 6P 板上防水母座L=6.65mm(外壳 锌合金)-包装规范		TEL:0755-29888153		
工程图		WEB: http://www.szzdjmj.com/		
THIRD ANGLE PROJECTION	UNIT:	SCALE:	SIZE:	SHEET:
	mm	1:1	A4	1/2