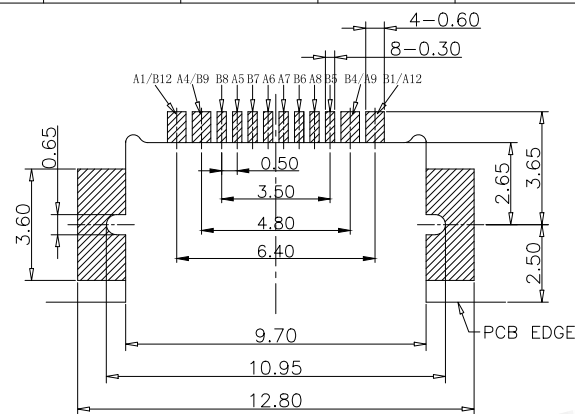
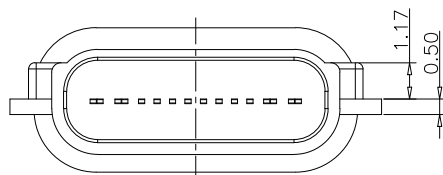


RoHS Compliant Halogen Free

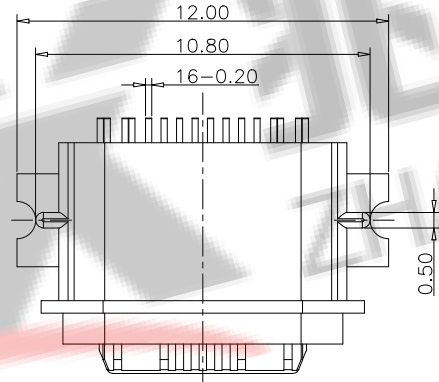
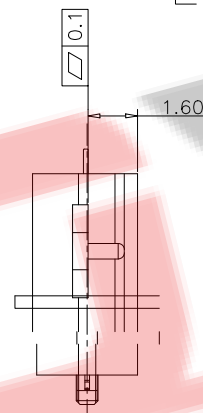
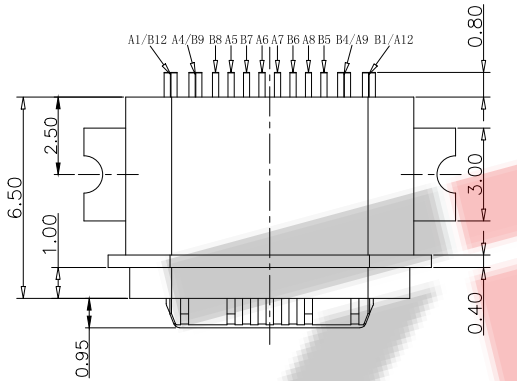


customer drawing



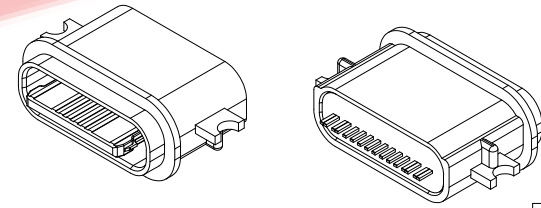
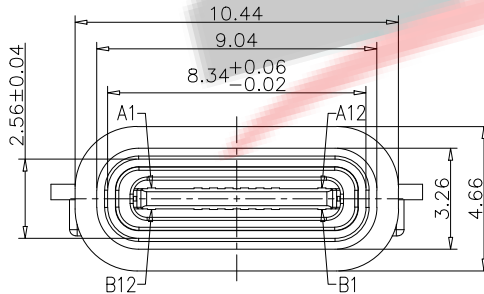
NOTES:  
**SPECIFICATION:**  
 1.CURRENT RATING: 3.0 A  
 2.VOLTAGE RATING: 3.0 V  
 3.VBUS & GND PINS AND OTHER PINS: 40mΩ/PIN MAX  
 SHIELD: 50mΩ/MAX  
 LLCR MAX. CHANGE OF ALL PINS: 10Ωm  
 4.INSULATION RESISTANCE: 100MΩ MIN  
 5.DIELECTRIC WITHSTAND VOLTAGE,AC 100V FOR 1MINUTE  
 6.INSERTION FORCE: 0.5~2.0kgf  
 7.UNMATING FORCE: 0.8~2.0kgf  
 8.DURABILITY: 10000 CYCLES  
 9.OPERATING TEMPERATURE: -35°C~+85°C  
 10.THE PEAK TEMPERATURE ON THE BOARD SHALL BE MAINTAINED FOR 10 SECONDS AT 210-230°C  
 11.WATERPROOF:IP-X7.

RECOMMEND P.C.B LAYOUT  
 TOLERANCE UNSPECIFIED ±0.05mm



USB TYPE C PIN ASSIGNMENTS

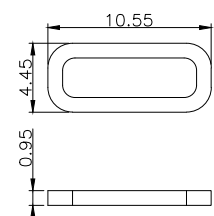
PIN NUMBER	SIGNAL NAME	PIN NUMBER	SIGNAL NAME
A1	GND	B12	GND
A4	VBUS	B9	VBUS
A5	CC1	B8	SBU2
A6	DP1	B7	DN2
A7	DN1	B6	DP2
A8	SBU1	B5	CC2
A9	VBUS	B4	VBUS
A12	GND	B1	GND



料号编码:  
 XXX - XX XX XX X X XXXX  
 公司名称 产品类别 产品识别流水码  
 A-USB A F-母座 B-USB B M-公头 C-USB C D-贴片 S-贴片 PIN 数 包装方式  
 M-MICRO M-MINI L-立式 L-插件 D-沉板 06:6PIN 1. TRAY (吸塑盒)  
 X-MINI N-卧式 J-夹板 16:16PIN 2. TAPE (编带)  
 H-焊线 24:24PIN 3. TAPE (袋装)  
 XP-防水系列产品 以此产品为准  
 X=上板类型

TABLE:

NO	PART	Q'TY	Material
1	SHELL	1	ZINC ALLOG,Ni30u"Min PLATED
2	CONTACT	16	C7025,TIN80u"/Au3u"/Ni30u"PLATED
3	MID PLATE	1	SUS301,NO PLATING
4	HOUSING	1	LCP(E130i) UL94 V-0 BLACK
5	WATERPROOF RING	1	SILICONE(SI/60-65A) UL94 V-0 BLACK



防水圈图示

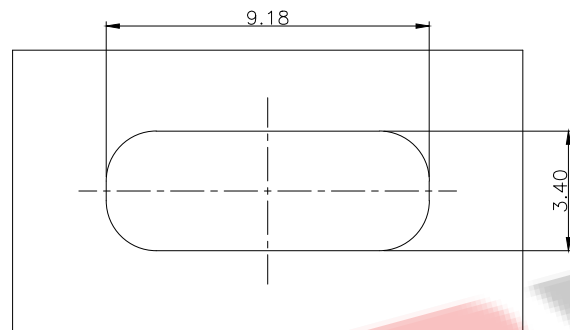
**ZDX** 深圳市兆达鑫科技有限公司  
 Shenzhen zhaodaxin Technology Co., Ltd

TITLE: TYPE C 16P 防水母座沉板1.6 L=6.5mm(粉末金外壳)	PART NO.:ZDX-CFMCF162AL04			
工程图	TEL:0755-29888153			
THIRD ANGLE PROJECTION	WEB: http://www.szzdjmj.com/			
UNIT: mm	SCALE: 1:1	SIZE: A4	SHEET: 1/2	

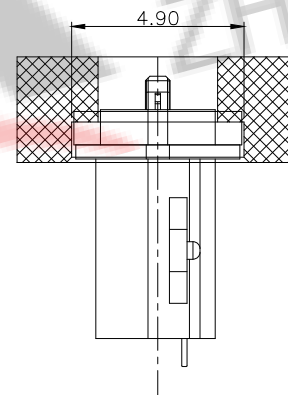
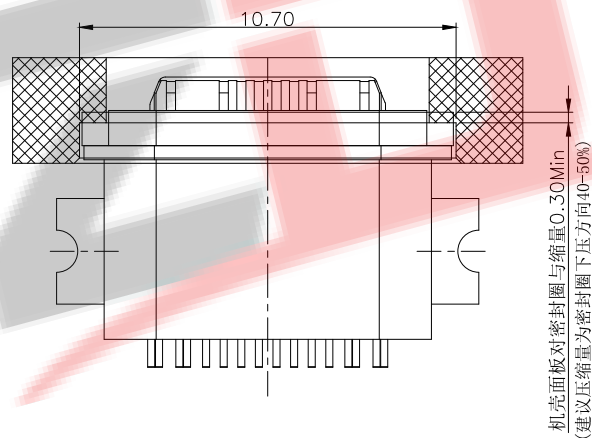
RoHS Compliant

Halogen Free

customer drawing



密封开孔参考尺寸(只供参考)  
组装外壳时需要打环保润滑油



**ZDX** 深圳市兆达鑫科技有限公司  
Shenzhen zhaodaxin Technology Co., Ltd

TITLE: 直压密封建议尺寸  
工程图

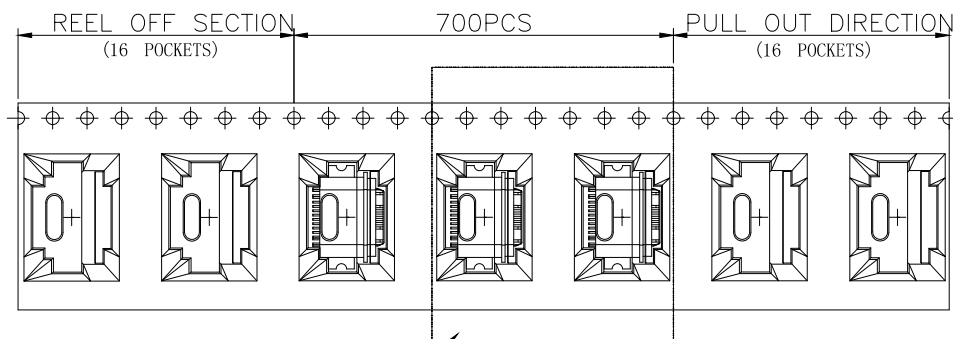
PART NO.: ZDX-CFMCF162AL04  
TEL: 0755-29888153  
WEB: <http://www.szzdjmkj.com/>

THIRD ANGLE PROJECTION	UNIT: mm	SCALE: 1:1	SIZE: A4	SHEET: 1/2
------------------------	----------	------------	----------	------------

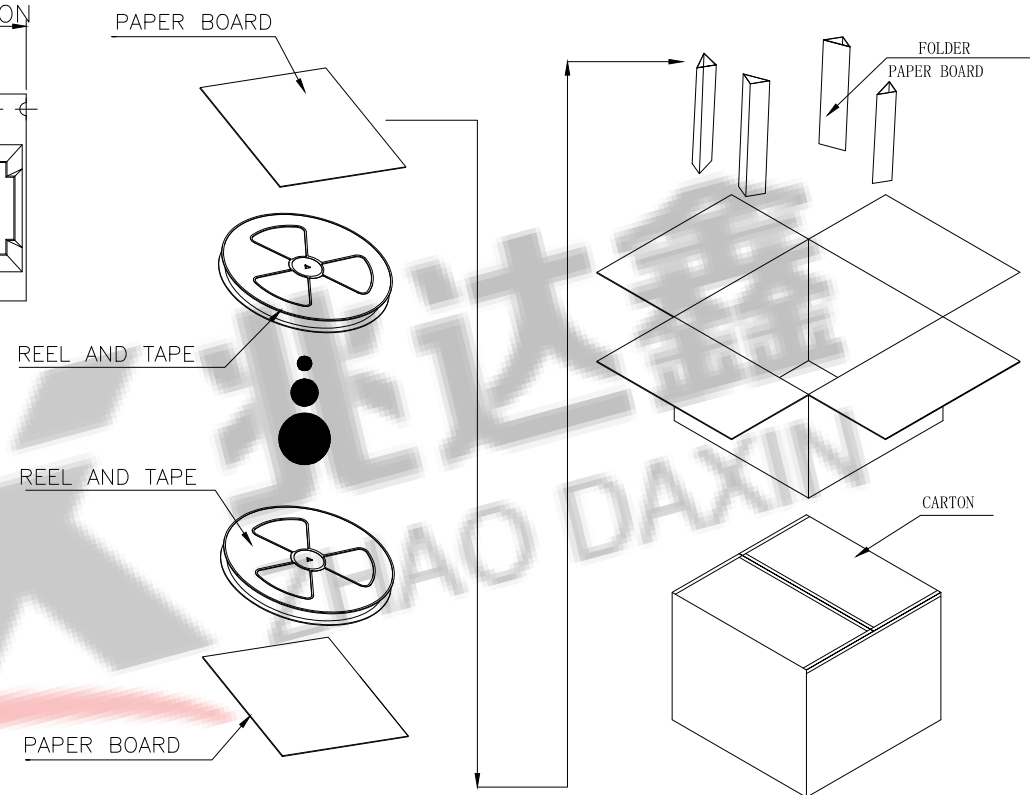
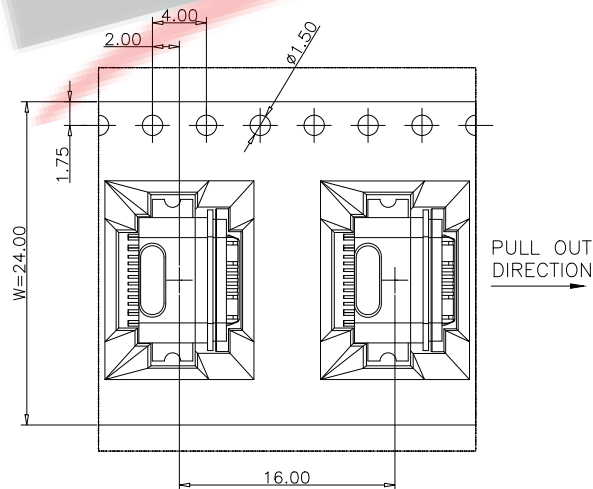
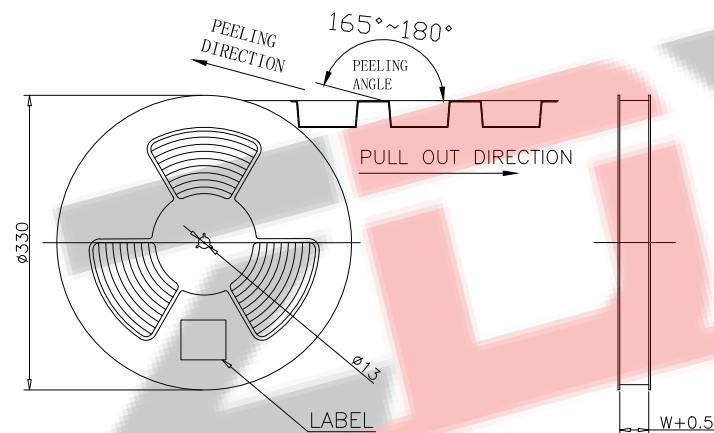
RoHS Compliant

Halogen Free

customer drawing



SEE DETAIL X



	REEL	CARTON
CONNECTOR (PCS)	700	7000

**ZDX** 深圳市兆达鑫科技有限公司  
Shenzhen zhaodaxin Technology Co., Ltd

TITLE: TYPE C 16P 防水母座板上/沉板 -包装规范  
PART NO.: ZDX-CFMCF162AL04  
TEL: 0755-29888153  
工程图  
WEB: <http://www.szzdjmkj.com/>

THIRD ANGLE PROJECTION	UNIT:	SCALE:	SIZE:	SHEET:
	mm	1:1	A4	1/2