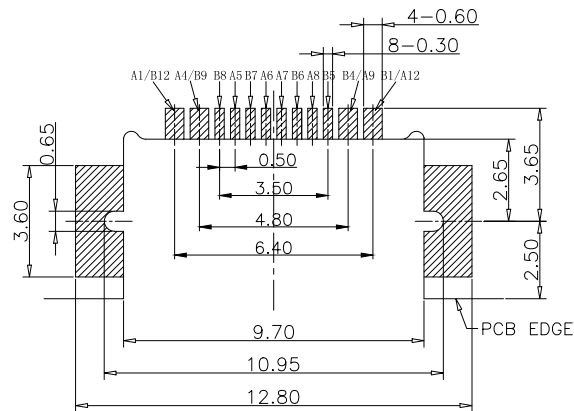
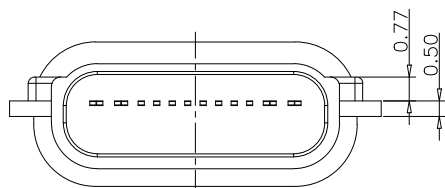


RoHS Compliant Halogen Free

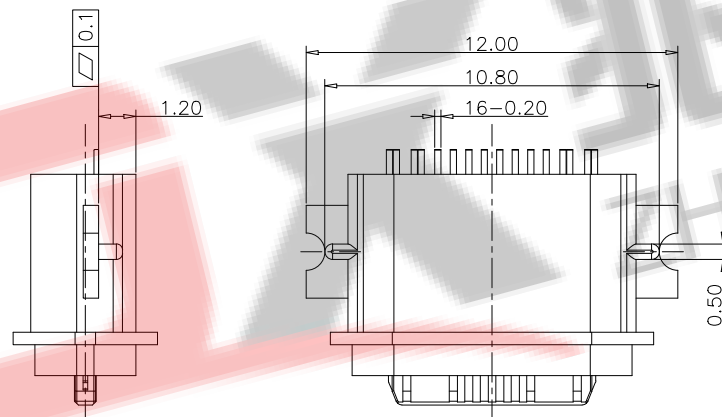
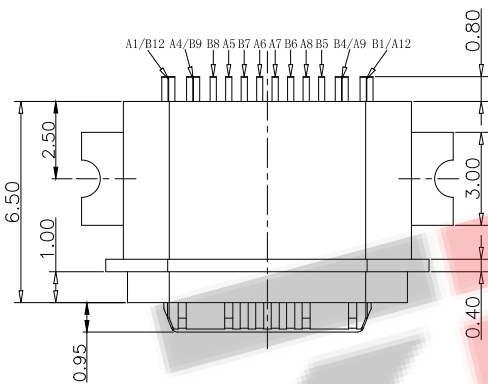


RECOMMEND P.C.B LAYOUT  
TOLERANCE UNSPECIFIED ±0.05mm

NOTES:

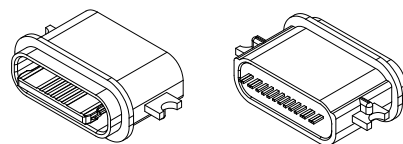
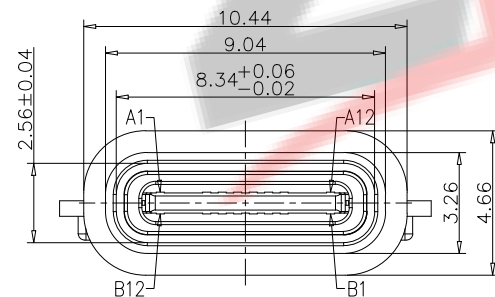
SPECIFICATION:

- CURRENT RATING: 3.0 A
- VOLTAGE RATING: 3.0 V
- VBUS & GND PINS AND OTHER PINS: 40mΩ/PIN MAX SHIELD: 50mΩ/MAX  
LLCR MAX. CHANGE OF ALL PINS: 10Ωm
- INSULATION RESISTANCE: 100MΩ MIN
- DIELECTRIC WITHSTAND VOLTAGE, AC 100V FOR 1MINUTE
- INSERTION FORCE: 0.5~2.0kgf
- UNMATING FORCE: 0.8-2.0kgf
- DURABILITY: 10000 CYCLES
- OPERATING TEMPERATURE: -35°C~+85°C
- THE PEAK TEMPERATURE ON THE BOARD SHALL BE MAINTAINED FOR 10 SECONDS AT 210-230°C
- WATERPROOF: IP-X7.



USB TYPE C PIN ASSIGNMENTS

PIN NUMBER	SIGNAL NAME	PIN NUMBER	SIGNAL NAME
A1	GND	B12	GND
A4	VBUS	B9	VBUS
A5	CC1	B8	SBU2
A6	DP1	B7	DN2
A7	DN1	B6	DP2
A8	SBU1	B5	CC2
A9	VBUS	B4	VBUS
A12	GND	B1	GND



料号编码:

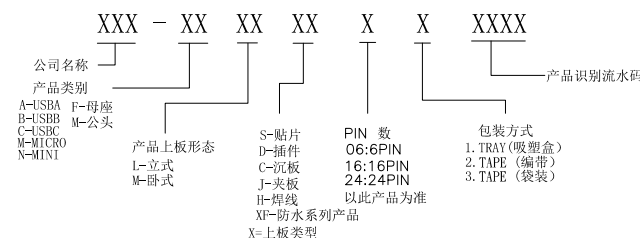
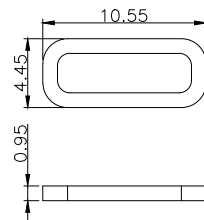


TABLE:

NO	PART	Q'TY	Material
1	SHELL	1	ZINC ALLOG, NI30u"Min PLATED
2	CONTACT	16	C7025, TIN80u"/Au3u"/NI30u"PLATED
3	MID PLATE	1	SUS301, NO PLATING
4	HOUSING	1	LCP(E130i) UL94 V-0 BLACK
5	WATERPROOF RING	1	SILICONE(SI/60-65A) UL94 V-0 BLACK



防水圈图示

**ZDX** 深圳市兆达鑫科技有限公司  
Shenzhen zhaodaxin Technology Co., Ltd

TITLE:  
TYPE C 16P 防水母座沉板 1.2 L=6.5mm(粉末金外壳)

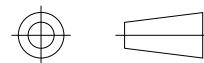
PART NO.: ZDX-CFMCF162AL03

TEL: 0755-29888153

WEB: <http://www.szzdjmkj.com/>

工程图

THIRD ANGLE PROJECTION

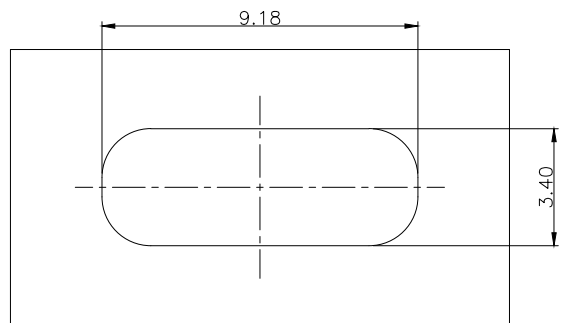


UNIT:	SCALE:	SIZE:	SHEET:
mm	1:1	A4	1/2

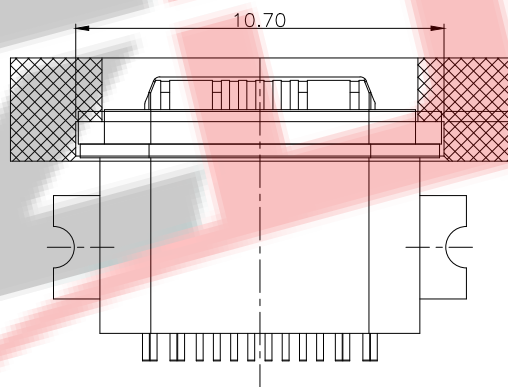
RoHS Compliant

Halogen Free

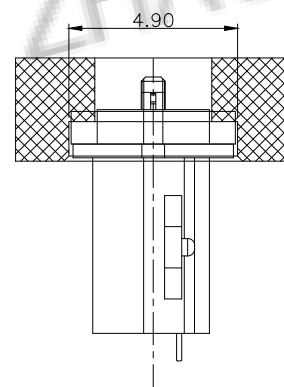
customer drawing



密封开孔参考尺寸(只供参考)  
组装外壳时需要打环保润滑油



机壳面板对密封圈与缩量0.30Min  
(建议压缩量为密封圈下压方向40-50%)

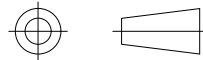


**ZDX** 深圳市兆达鑫科技有限公司  
Shenzhen zhaodaxin Technology Co., Ltd

TITLE:  
直压密封建议尺寸  
工程图

PART NO.:ZDX-CFMCF162AL03  
TEL:0755-29888153  
WEB: <http://www.szzdjmkj.com/>

THIRD ANGLE PROJECTION



UNIT:

mm

SCALE:

1:1

SIZE:

A4

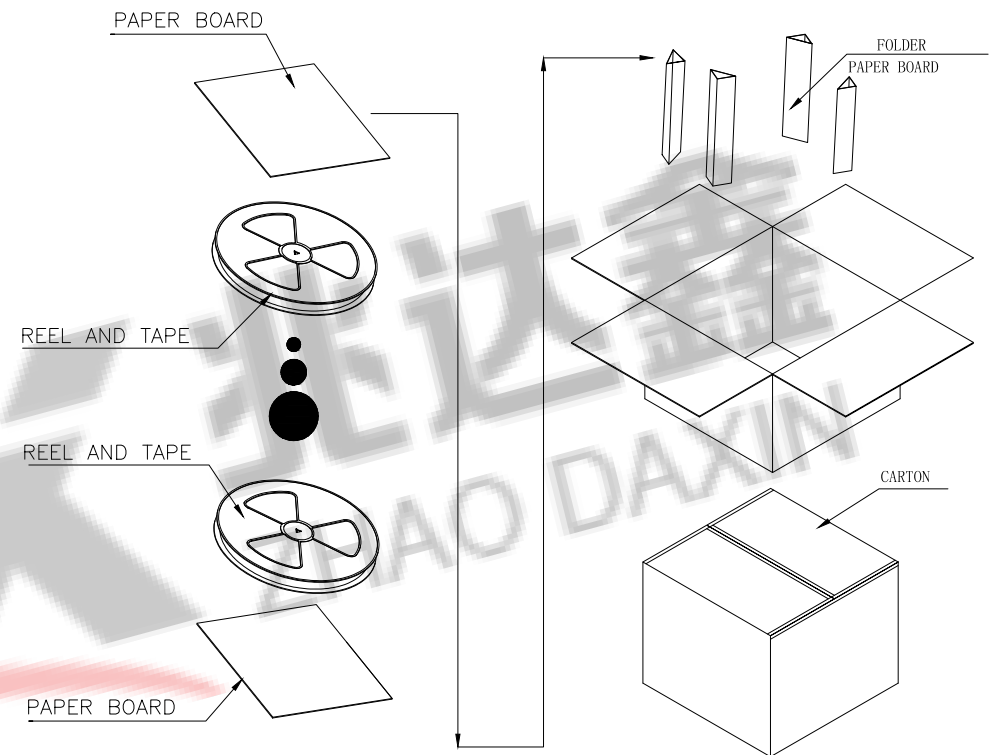
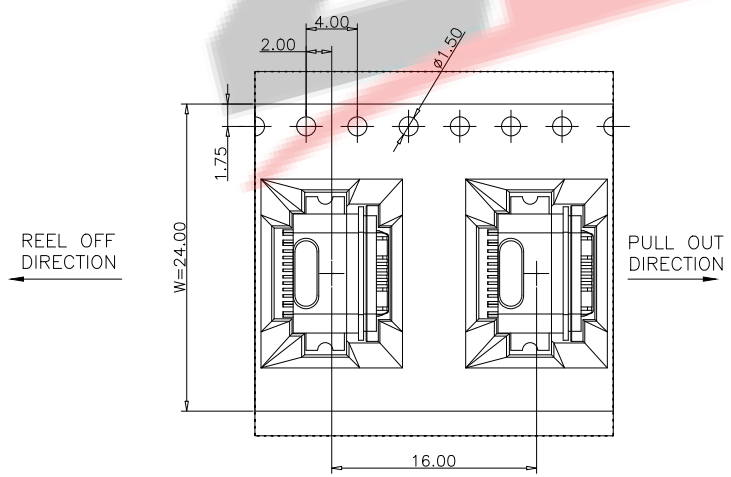
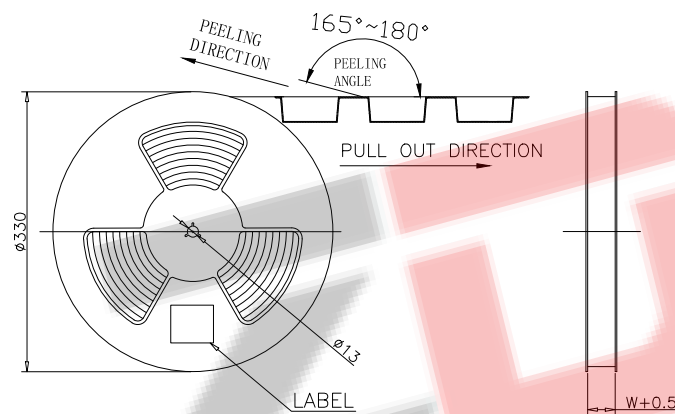
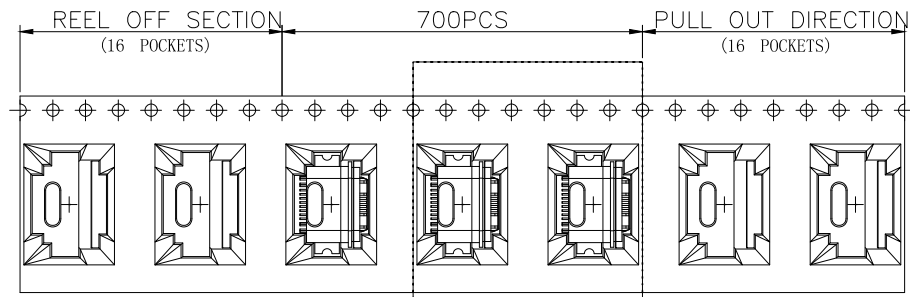
SHEET:

1/2

RoHS Compliant

Halogen Free

customer drawing



	REEL	CARTON
CONNECTOR (PCS)	700	7000

**ZDX** 深圳市兆达鑫科技有限公司  
 Shenzhen zhaodaxin Technology Co., Ltd

TITLE: TYPE C 16P 防水母座板上/沉板 -包装规范  
 工程图

PART NO.: ZDX-CFMCF162AL03  
 TEL: 0755-29888153  
 WEB: <http://www.szzdjmkj.com/>

THIRD ANGLE PROJECTION	UNIT:	SCALE:	SIZE:	SHEET:
	mm	1:1	A4	1/2