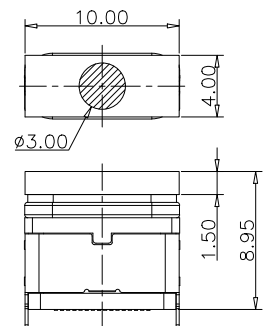
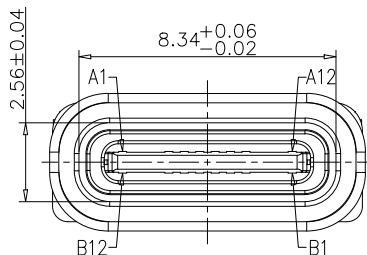


RoHS Compliant

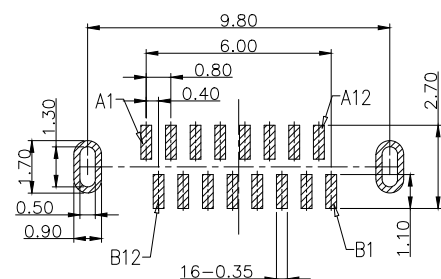
Halogen Free



customer drawing



装前塞示意图



RECOMMEND P.C.B LAYOUT
TOLERANCE UNSPECIFIED ±0.05mm

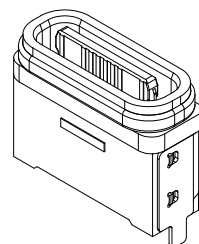
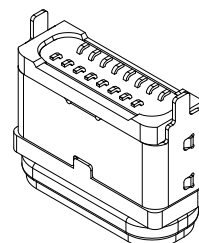
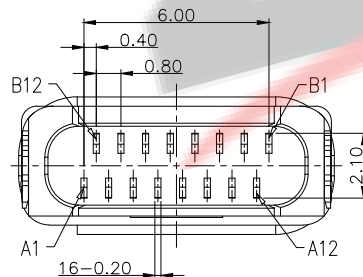
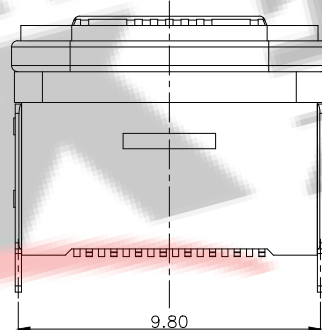
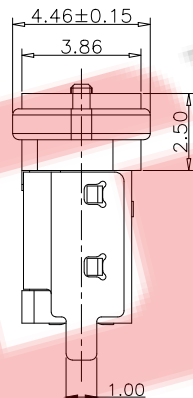
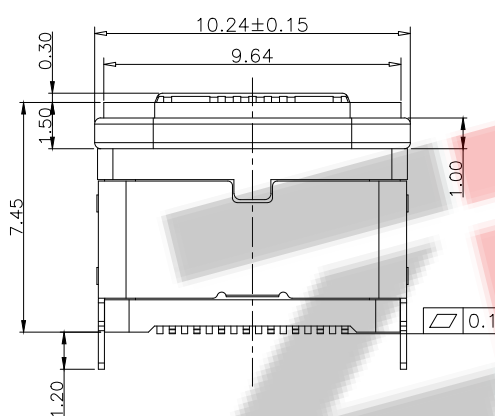
NOTES:

SPECIFICATION:

- CURRENT RATING: 3.0 A
- VOLTAGE RATING: 3.0 V
- VBUS & GND PINS AND OTHER PINS: 40mΩ/PIN MAX SHIELD: 50mΩ/MAX
LLCR MAX. CHANGE OF ALL PINS: 10Ωm
- INSULATION RESISTANCE: 100MΩ MIN
- DIELECTRIC WITHSTAND VOLTAGE, AC 100V FOR 1MINUTE
- INSERTION FORCE: 0.5~2.0kgf
- UNMATING FORCE: 0.8-2.0kgf
- DURABILITY: 10000 CYCLES
- OPERATING TEMPERATURE: -35°C~+85°C
- THE PEAK TEMPERATURE ON THE BOARD SHALL BE MAINTAINED FOR 10 SECONDS AT 210-230°C
- WATERPROOF: IP-X7.

USB TYPE C PIN ASSIGNMENTS

PIN NUMBER	SIGNAL NAME	PIN NUMBER	SIGNAL NAME
A1	GND	B12	GND
A4	VBUS	B9	VBUS
A5	CC1	B8	SBU2
A6	DP1	B7	DN2
A7	DN1	B6	DP2
A8	SBU1	B5	CC2
A9	VBUS	B4	VBUS
A12	GND	B1	GND



料号编码:

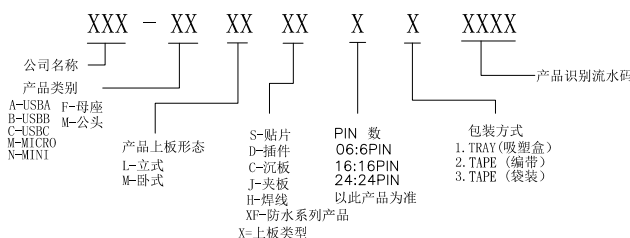


TABLE:

NO	PART	Q'TY	Material
1	PLASTIC SHELL	1	PA46 UL94 V-0 BLACK
2	CONTACT	16	C2680,TIN80u"/Au3u"/Ni30u"PLATED
3	MID PLATE	1	SUS301,NO PLATING
4	HOUSING	1	LCP UL94 V-0 BLACK
5	SHIELDING PLATE	1	SUS,NI PLATED
6	WATERPROOF RING	1	SILICONE UL94 V-0 RED
7	CAP	1	LCP UL94 V-0 BLACK



深圳市兆达鑫科技有限公司

Shenzhen zhaodaxin Technology Co., Ltd

TITLE:

TYPE C 16P 防水母座立式贴板 H=7.45mm(U型全塑款)

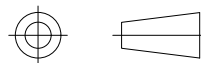
工程图

PART NO.:ZDX-CFLSF162AL20

TEL:0755-29888153

WEB: http://www.szzdjmkj.com/

THIRD ANGLE PROJECTION



UNIT:

mm

SCALE:

1:1

SIZE:

A4

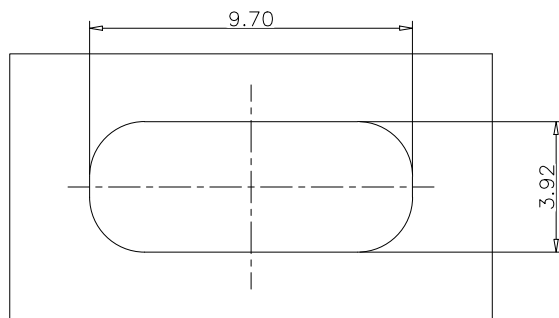
SHEET:

1/2

RoHS Compliant

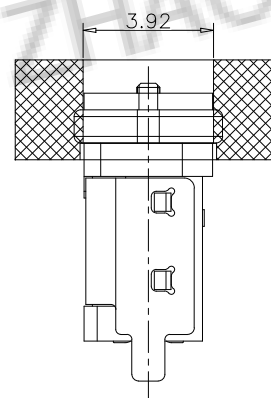
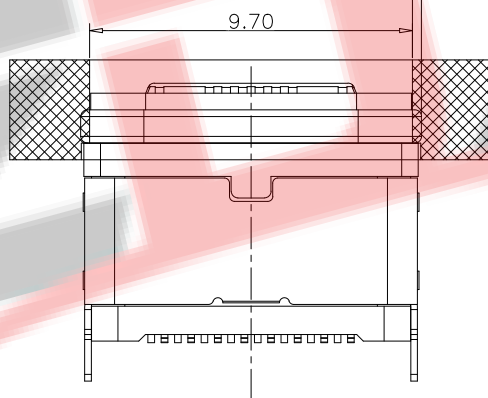
Halogen Free

customer drawing



密封开孔参考尺寸(只供参考)
 组装外壳时需要打环保润滑油

机壳面板对密封圈与缩量0.20Min
 (建议压缩量为密封圈下压方向35-45%)



ZDX 深圳市兆达鑫科技有限公司
 Shenzhen zhaodaxin Technology Co., Ltd

TITLE: U型密封建议尺寸
 工程图

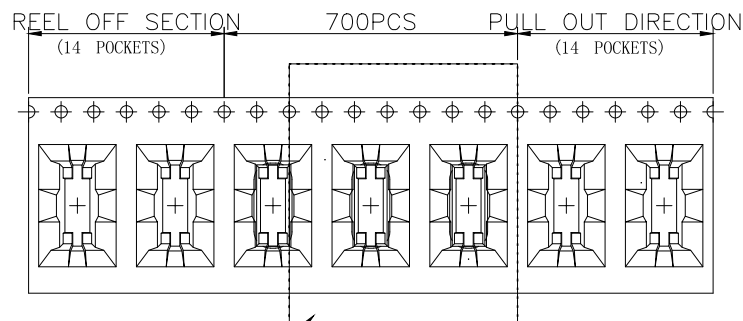
PART NO.: ZDX-CFLSF162AL20
 TEL: 0755-29888153
 WEB: <http://www.szzdjmkj.com/>

THIRD ANGLE PROJECTION 	UNIT:	SCALE:	SIZE:	SHEET:
	mm	1:1	A4	1/2

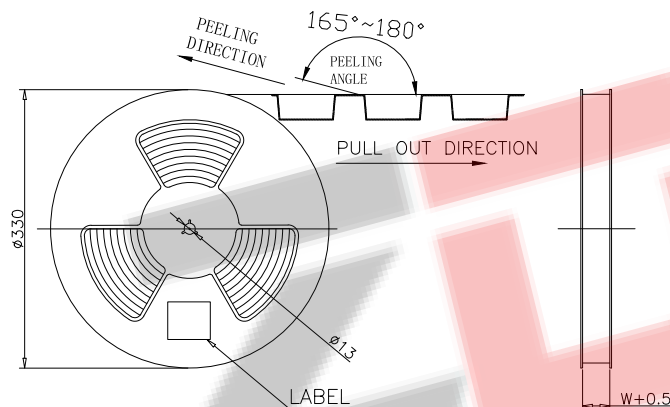
RoHS Compliant

Halogen Free

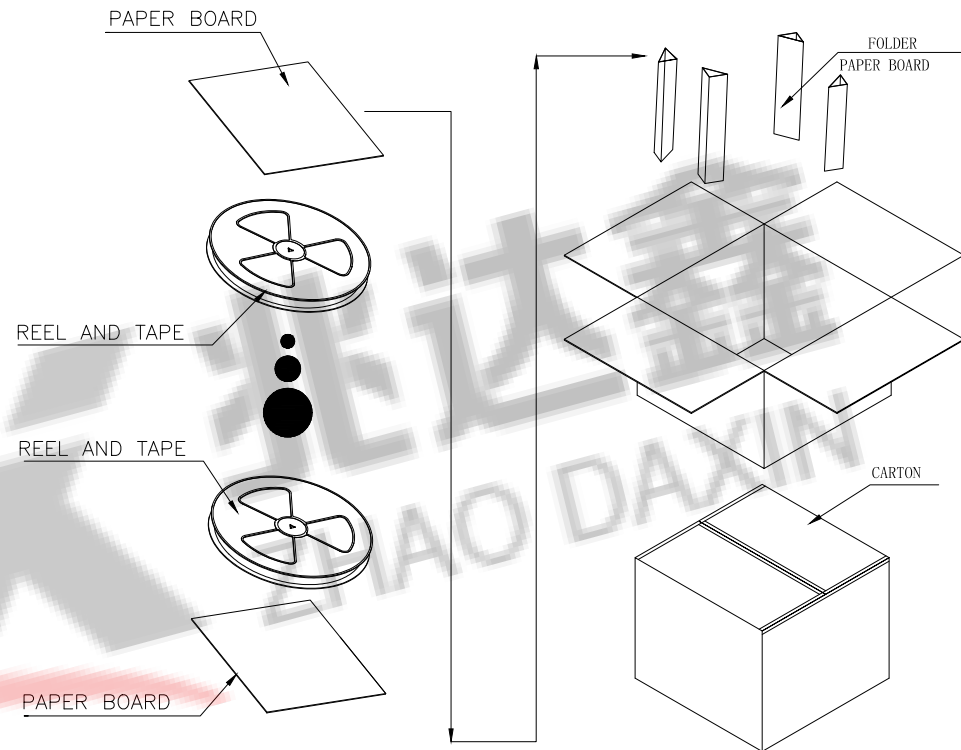
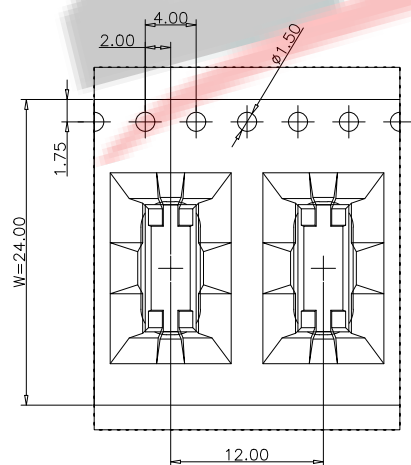
customer drawing



SEE DETAIL X



REEL OFF DIRECTION



	REEL	CARTON
CONNECTOR (PCS)	500	5000

ZDX 深圳市兆达鑫科技有限公司
Shenzhen zhaodaxin Technology Co., Ltd

TITLE: TYPE C 16P 防水母座立式插/贴板 -包装规范 工程图
PART NO.: ZDX-CFLSF162AL20
TEL: 0755-29888153
WEB: <http://www.szzdjmj.com/>

THIRD ANGLE PROJECTION	UNIT:	SCALE:	SIZE:	SHEET:
	mm	1:1	A4	1/2