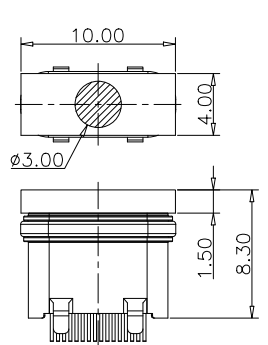
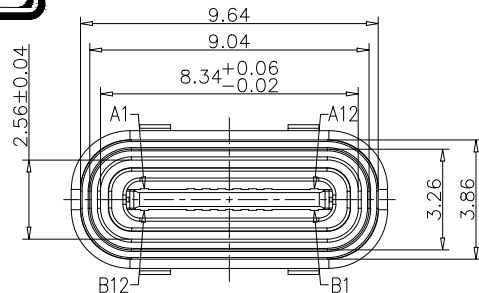
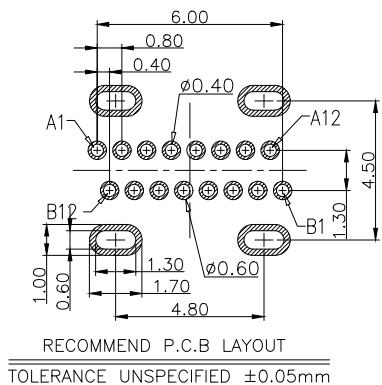


RoHS Compliant Halogen Free



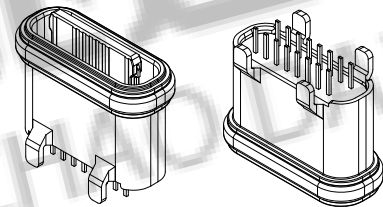
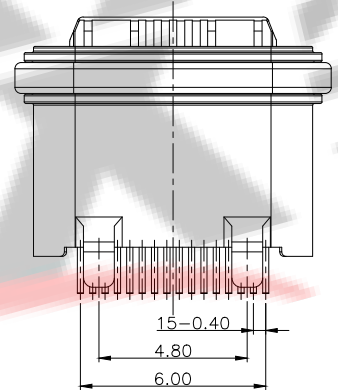
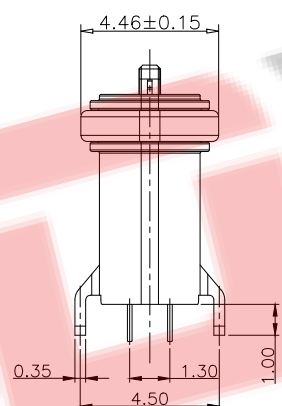
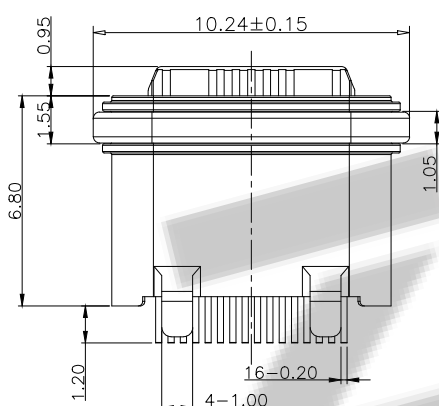
装前塞示意图



RECOMMEND P.C.B LAYOUT
TOLERANCE UNSPECIFIED ±0.05mm

customer drawing

- NOTES:
SPECIFICATION:
- CURRENT RATING: 3.0 A
 - VOLTAGE RATING: 3.0 V
 - VBUS & GND PINS AND OTHER PINS: 40mΩ/PIN MAX
SHIELD: 50mΩ/MAX
LLCR MAX. CHANGE OF ALL PINS: 10Ωm
 - INSULATION RESISTANCE: 100MΩ MIN
 - DIELECTRIC WITHSTAND VOLTAGE, AC 100V FOR 1MINUTE
 - INSERTION FORCE: 0.5~2.0kgf
 - UNMATING FORCE: 0.8-2.0kgf
 - DURABILITY: 10000 CYCLES
 - OPERATING TEMPERATURE: -35°C~+85°C
 - THE PEAK TEMPERATURE ON THE BOARD SHALL BE MAINTAINED FOR 10 SECONDS AT 210-230°C
 - WATERPROOF: IP-X7.



USB TYPE C PIN ASSIGNMENTS

PIN NUMBER	SIGNAL NAME	PIN NUMBER	SIGNAL NAME
A1	GND	B12	GND
A4	VBUS	B9	VBUS
A5	CC1	B8	SBU2
A6	DP1	B7	DN2
A7	DN1	B6	DP2
A8	SBU1	B5	CC2
A9	VBUS	B4	VBUS
A12	GND	B1	GND

料号编码:

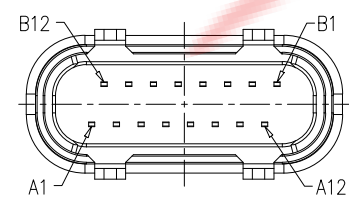
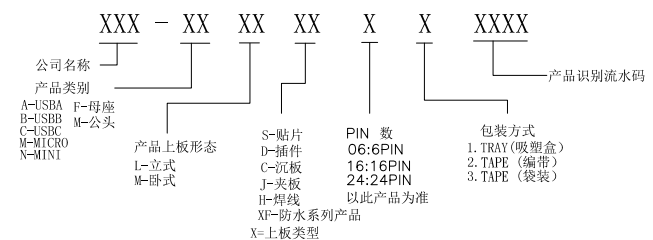


TABLE:

NO	PART	Q'TY	Material
1	SHELL	1	ZINC ALLOG, NI30u"Min PLATED
2	CONTACT	16	C7025, TIN80u"/Au3u"/NI30u"PLATED
3	MID PLATE	1	SUS301, NO PLATING
4	HOUSING	1	LCP(E130i) UL94 V-0 BLACK
5	CAP	1	LCP UL94 V-0 BLACK
6	WATERPROOF RING	1	SILICONE(SI/60-65A) UL94 V-0 RED

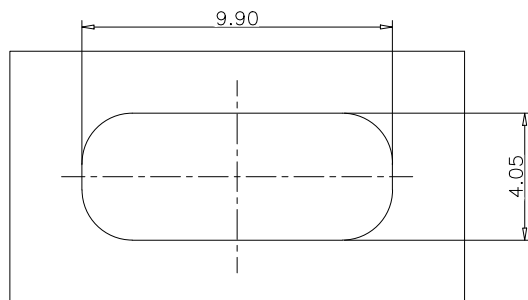
ZDX 深圳市兆达鑫科技有限公司
Shenzhen zhaodaxin Technology Co., Ltd

TITLE: TYPE C 16P 防水母座立式插板 H=6.8mm(U型粉末金外壳)		PART NO.: ZDX-CFLDF162AL13		
工程图		TEL: 0755-29888153		
THIRD ANGLE PROJECTION		WEB: http://www.szzdjmkj.com/		
	UNIT: mm	SCALE: 1:1	SIZE: A4	SHEET: 1/2

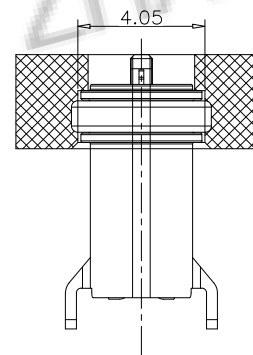
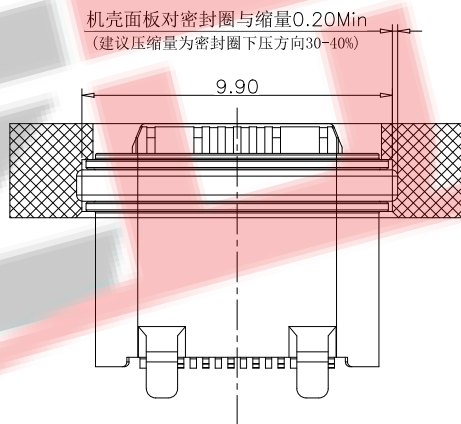
RoHS Compliant

Halogen Free

customer drawing



密封开孔参考尺寸(只供参考)
组装外壳时需要打环保润滑油



ZDX 深圳市兆达鑫科技有限公司
Shenzhen zhaodaxin Technology Co., Ltd

TITLE: U型密封建议尺寸
工程图

PART NO.: ZDX-CFLDF162AL13
TEL: 0755-29888153
WEB: <http://www.szzdjmkj.com/>

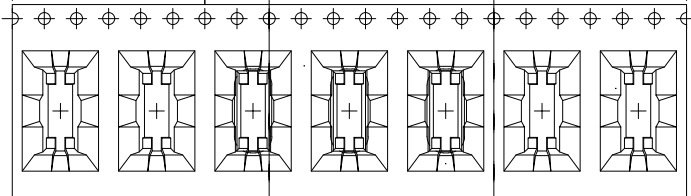
THIRD ANGLE PROJECTION	UNIT:	SCALE:	SIZE:	SHEET:
	mm	1:1	A4	1/2

RoHS Compliant

Halogen Free

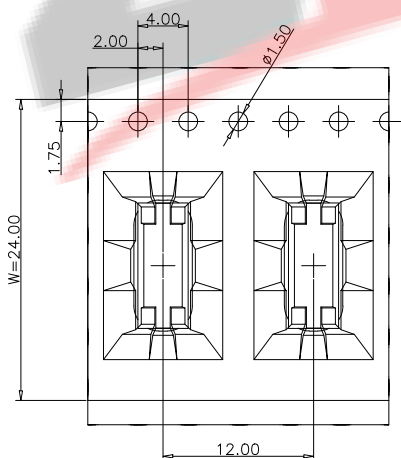
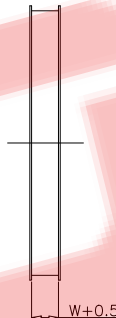
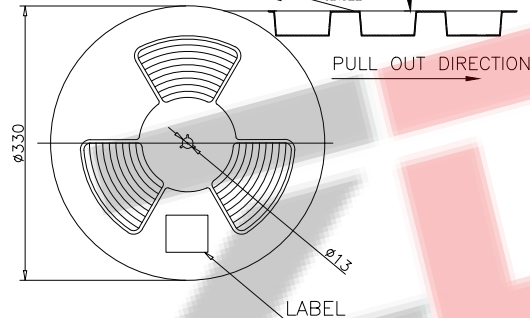
customer drawing

REEL OFF SECTION 700PCS PULL OUT DIRECTION
(14 POCKETS) (14 POCKETS)



SEE DETAIL X

PEELING DIRECTION
PEELING ANGLE 165°~180°

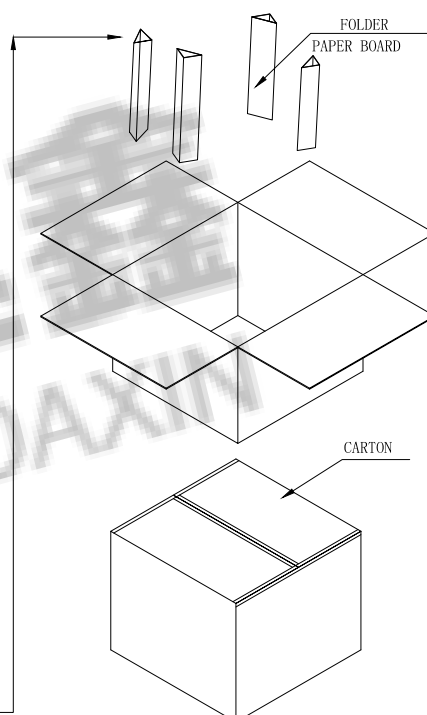


PAPER BOARD

REEL AND TAPE

REEL AND TAPE

PAPER BOARD



	REEL	CARTON
CONNECTOR (PCS)	500	5000

ZDX 深圳市兆达鑫科技有限公司
Shenzhen zhaodaxin Technology Co., Ltd

TITLE:
TYPE C 16P 防水母座立式插/贴板
L=6.8mm-包装规范
工程图

PART NO.:ZDX-CFLDF162AL13
TEL:0755-29888153
WEB: <http://www.szzdjmkj.com/>

THIRD ANGLE PROJECTION 	UNIT:	SCALE:	SIZE:	SHEET:
	mm	1:1	A4	1/2