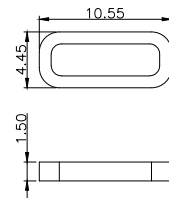
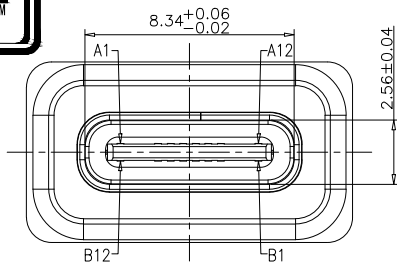
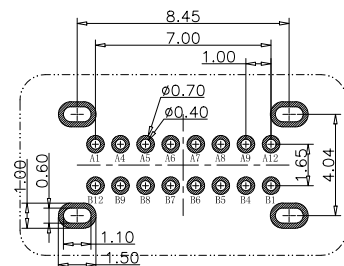


RoHS Compliant

Halogen Free



防水圈图示



RECOMMEND P.C.B LAYOUT
TOLERANCE UNSPECIFIED ±0.05mm

customer drawing

NOTES:

SPECIFICATION:

- CURRENT RATING: 5.0 A
- VOLTAGE RATING: 5.0 V
- VBUS & GND PINS AND OTHER PINS: 40mΩ/PIN MAX
SHIELD: 50mΩ/MAX
LLCR MAX. CHANGE OF ALL PINS: 100Ωm
- INSULATION RESISTANCE: 100MΩ MIN
- DIELECTRIC WITHSTAND VOLTAGE, AC 100V FOR 1MINUTE
- INSERTION FORCE: 0.5-2.0kgf
- UNMATING FORCE: 0.8-2.0kgf
- DURABILITY: 10000 CYCLES
- OPERATING TEMPERATURE: -35°C~+85°C
- THE PEAK TEMPERATURE ON THE BOARD SHALL BE MAINTAINED FOR 10 SECONDS AT 210-250°C
- WATERPROOF: IP-X7.

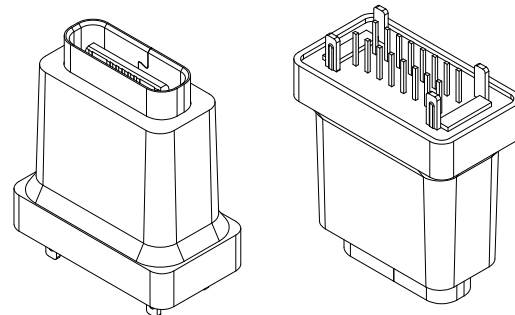
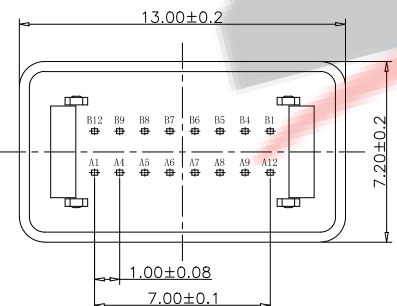
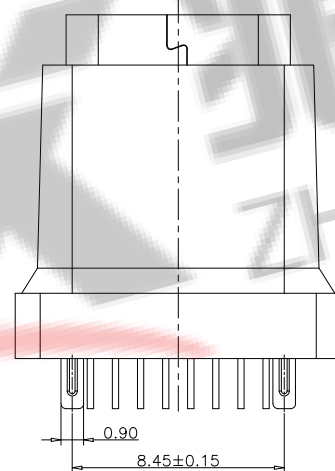
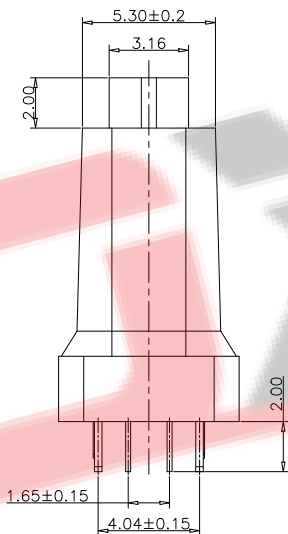
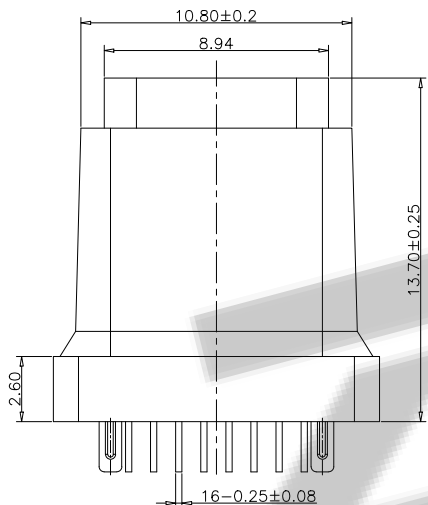
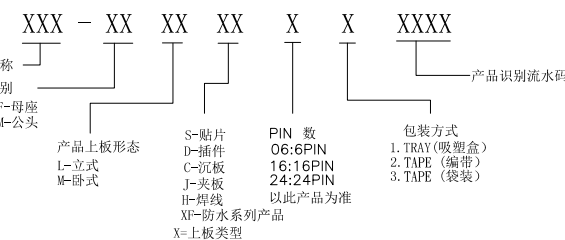


TABLE:

| NO | PART | QTY | Material |
|----|-----------------|-----|--------------------------------|
| 1 | PLASTIC SHELL | 1 | PA&LCP UL94 V-0 BLACK |
| 2 | SHELL | 1 | STAINLESS STEEL, NI PLATED |
| 3 | CONTACT | 16 | COPPER ALLOY, TIN/Au/NI PLATED |
| 4 | MD PLATE | 1 | STAINLESS STEEL, NO PLATING |
| 5 | MD HOUSING | 1 | PA&LCP UL94 V-0 BLACK |
| 6 | WATERPROOF RING | 1 | SILICONE UL94 V-0 BLACK |

料号编码:



USB TYPE C PIN ASSIGNMENTS

| PIN NUMBER | SIGNAL NAME | PIN NUMBER | SIGNAL NAME |
|------------|-------------|------------|-------------|
| A1 | GND | B12 | GND |
| A4 | VBUS | B9 | VBUS |
| A5 | CC1 | B8 | SBU2 |
| A6 | DP1 | B7 | DN2 |
| A7 | DN1 | B6 | DP2 |
| A8 | SBU1 | B5 | CC2 |
| A9 | VBUS | B4 | VBUS |
| A12 | GND | B1 | GND |

ZDX 深圳市兆达鑫科技有限公司
Shenzhen zhaodaxin Technology Co., Ltd

| | | | | |
|-----------------------------|-------|--|-------|--------|
| TITLE: | | PART NO.: ZDX-CFLDF161AL08 | | |
| TYPE C 16P 立式防水母座DIP H=13.7 | | TEL: 0755-29888153 | | |
| 工程图 | | WEB: http://www.szzdjmj.com/ | | |
| THIRD ANGLE PROJECTION | UNIT: | SCALE: | SIZE: | SHEET: |
| | mm | 1:1 | A4 | 1/2 |