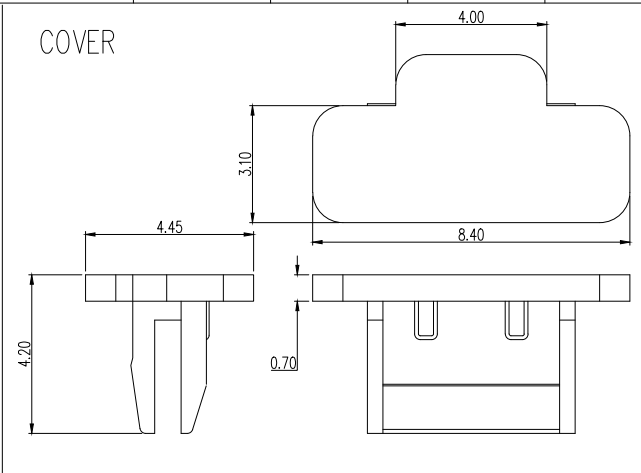
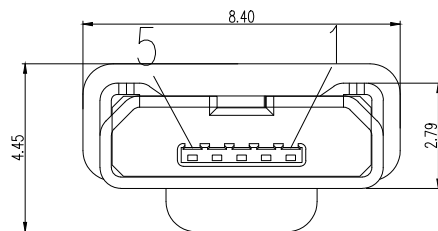


RoHS Compliant

Halogen Free

customer drawing

COVER



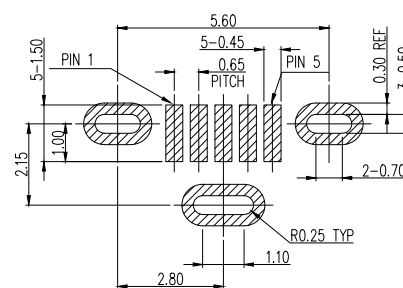
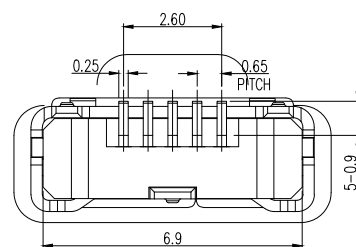
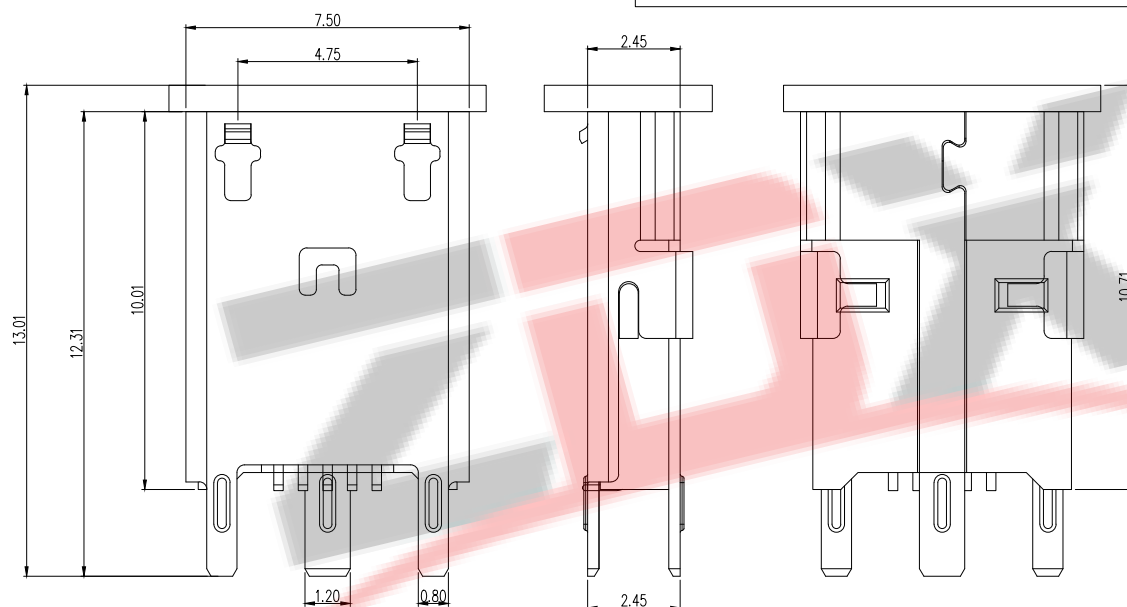
Notes:

Specifications:

1. Current rating: 1 A Max.
2. Dielectric withstanding:voltage: 100V(AC) for 1 min.
3. Contact resistance: 50m Max.
4. Insulation resistance: 100M Min.
5. Total mating force: 3.57 Kgf Max.
6. Total unmating force: 1.0 Kgf Min.0.81~2.05 Kgf Min.after 10000 insertion/extraction cycles
7. Temperature range: -30°C~+80°C

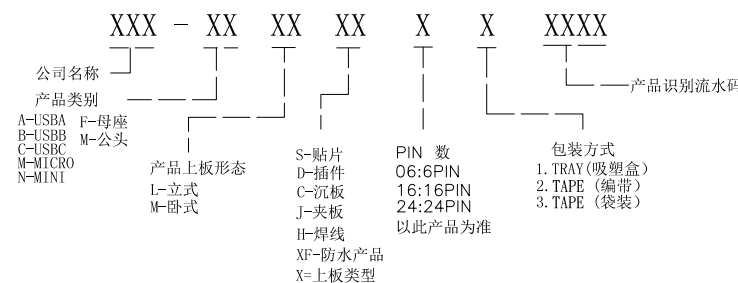
MICRO USB B TYPE PIN ASSIGNMENTS

PIN NUMBER	1	2	3	4	5
SIGNAL NAME	VBUS	D-	D+	ID	GND



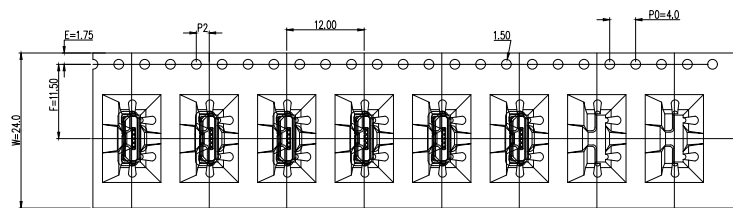
RECOMMEND PCB LAYOUT(THICKNESS=1.6mm)  
TOLERANCE: ±0.05

料号编码:

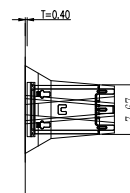


**ZDX** 深圳市兆达鑫科技有限公司  
Shenzhen zhaodaxin Technology Co., Ltd

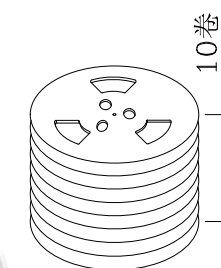
TITLE: MICRO USB 5PIN立贴母座 三脚 高度H=10.0MM 直边		PART NO.: ZDX-MFLS52CY11		
工程图		TEL: 0755-29888153		
THIRD ANGLE PROJECTION		WEB: <a href="http://www.szzdjmkj.com/">http://www.szzdjmkj.com/</a>		
	UNIT: mm	SCALE: 1:1	SIZE: A4	SHEET: 1/1



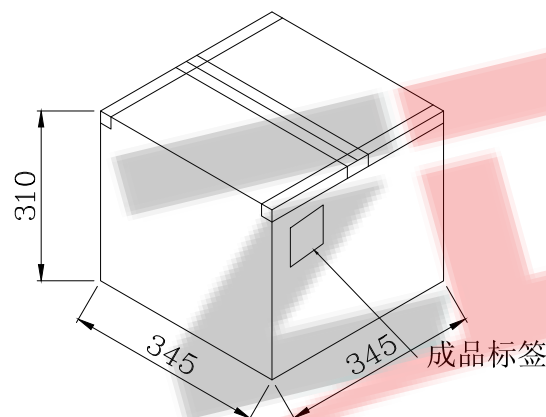
① 产品入载带示意图



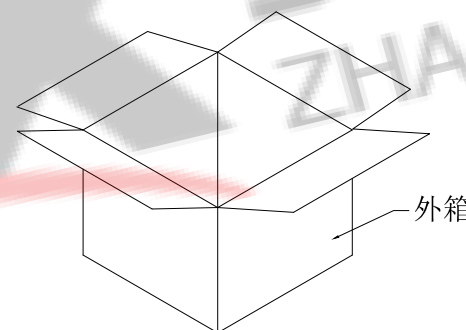
② 卷盘贴标签示意图



③ 7盘产品叠层示意图



⑤ 外箱封箱示意图



④ 产品入外箱示意图

	REEL	CARTON
CONNECTOR (PCS)	400	2800

## 包装说明:

1. 将检验好的成品;对插口朝前放入载带;每卷装400PCS产品;具体如图一所示
2. 将包装好的产品;每盘必需贴上内标签;具体如图二所示
3. 将贴好内标签的产品每7盘叠;具体如图三所示
5. 装好后并封好纸箱及贴好相关标签;具体如图五所示;  
(产品包装的标签,如客户有要求,请按客户要求包装出货)
6. 载带前面留12PCS空格,后面留12PCS空格
7. COVER与CARRY剥离力:50-125g,速度:300mm/分钟左右,剥离角度:165°-180°

ZDX

深圳市兆达鑫科技有限公司

Shenzhen zhaodaxin Technology Co., Ltd

TITLE:

MICRO USB 5PIN母座H10.0-10.5MM包装规范

工程图

THIRD ANGLE PROJECTION



PART NO.: ZDX-MFLS52CY11

TEL: 0755-29888153

WEB: <http://www.szzdjmkj.com/>

UNIT:

mm

SCALE:

1:1

SIZE:

A4

SHEET:

1/1