

RoHS Compliant

Halogen Free

NOTES:

Housing: Thermoplastics,UL94V-0
 Contact: Copper Alloy
 Shell: Copper Alloy/Steel
 Voltage Current Rating:1.5 AMP. 30V AC
 Insulation Resistance:1000MΩ Min.
 Contact Resistance: 30 MΩ Max.
 Dielectric Withstanding Voltage:500W AC
 Temperature Range:-35°C to +85°C
 Insulator color: Black/White
 Plastic material:PBT/LCP/Others
 Shell finish:Nickel plated/Tin-Lead plated
 Mechanical:
 Mating Force:3.5KG MAX
 Unmating Force:1.02 KG MIN.

Contact finish:

- 01: Selective Gold Flash
- 02: Selective Gold 3U"
- 03: Selective Gold 5U"
- 04: Selective Gold 15U"
- 05: Selective Gold 30U"

料号编码:

XXX - XX XX XX X X XXXX

产品类别

- A-USBA
- B-USBB
- C-USBC
- M-MICRO
- N-MINI

产品上板形态

- L-立式
- M-卧式

S-贴片

- D-插件
- C-沉板
- J-夹板

H-焊线

- XF-防水产品
- X=上板类型

PIN 数

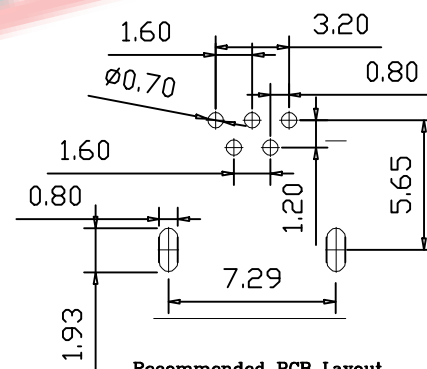
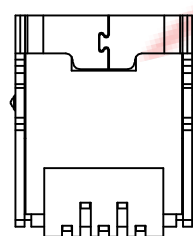
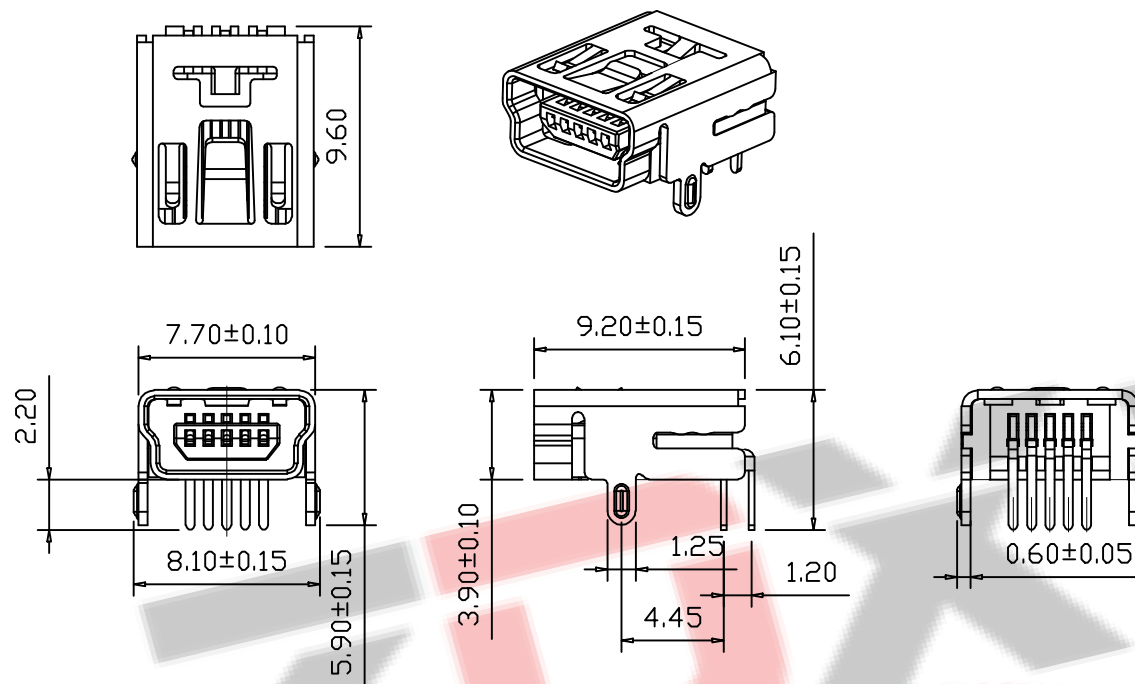
- 06:6PIN
- 16:16PIN
- 24:24PIN

以此产品为准

包装方式

- 1. TRAY (吸塑盒)
- 2. TAPE (编带)
- 3. TAPE (袋装)

产品识别流水码



Recommended PCB Layout



深圳市兆达鑫科技有限公司

Shenzhen zhaodaxin Technology Co., Ltd

TITLE:

MINI 5PIN 90度两脚插板

PART NO.: ZDX-NFMD05ZD01

TEL: 0755-29888153

工程图

WEB: <http://www.szzdjmj.com/>

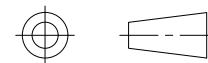
THIRD ANGLE PROJECTION

UNIT:

SCALE:

SIZE:

SHEET:



mm

1:1

A4

1/2