

NOTES:

Housing: Thermoplastics,UL94V-0
 Contact: Copper Alloy
 Shell: Copper Alloy/Steel
 Voltage Current Rating:1.5 AMP. 30V AC
 Insulation Resistance:1000MΩ Min.
 Contact Resistance: 30 MΩ Max.
 Dielectric Withstanding Voltage:500W AC
 Temperature Range:-35°C to +85°C
 Insulator color: Black/White
 Plastic material:PBT/LCP/Others
 Shell finish:Nickel plated/Tin-Lead plated
 Mechanical:
 Mating Force:3.5KG MAX
 Unmating Force:1.02 KG MIN.
 Contact finish:

- 01: Selective Gold Flash
- 02: Selective Gold 3U"
- 03: Selective Gold 5U"
- 04: Selective Gold 15U"
- 05: Selective Gold 30U"

料号编码:

XXX - XX XX XX X X XXXX

产品类别

A-USBA F-母座
 B-USBB M-公头
 C-USBC
 M-MICRO
 N-MINI

产品上板形态
 L-立式
 M-卧式

S-贴片
 D-插件

C-沉板
 J-夹板

H-焊线

XF-防水产品

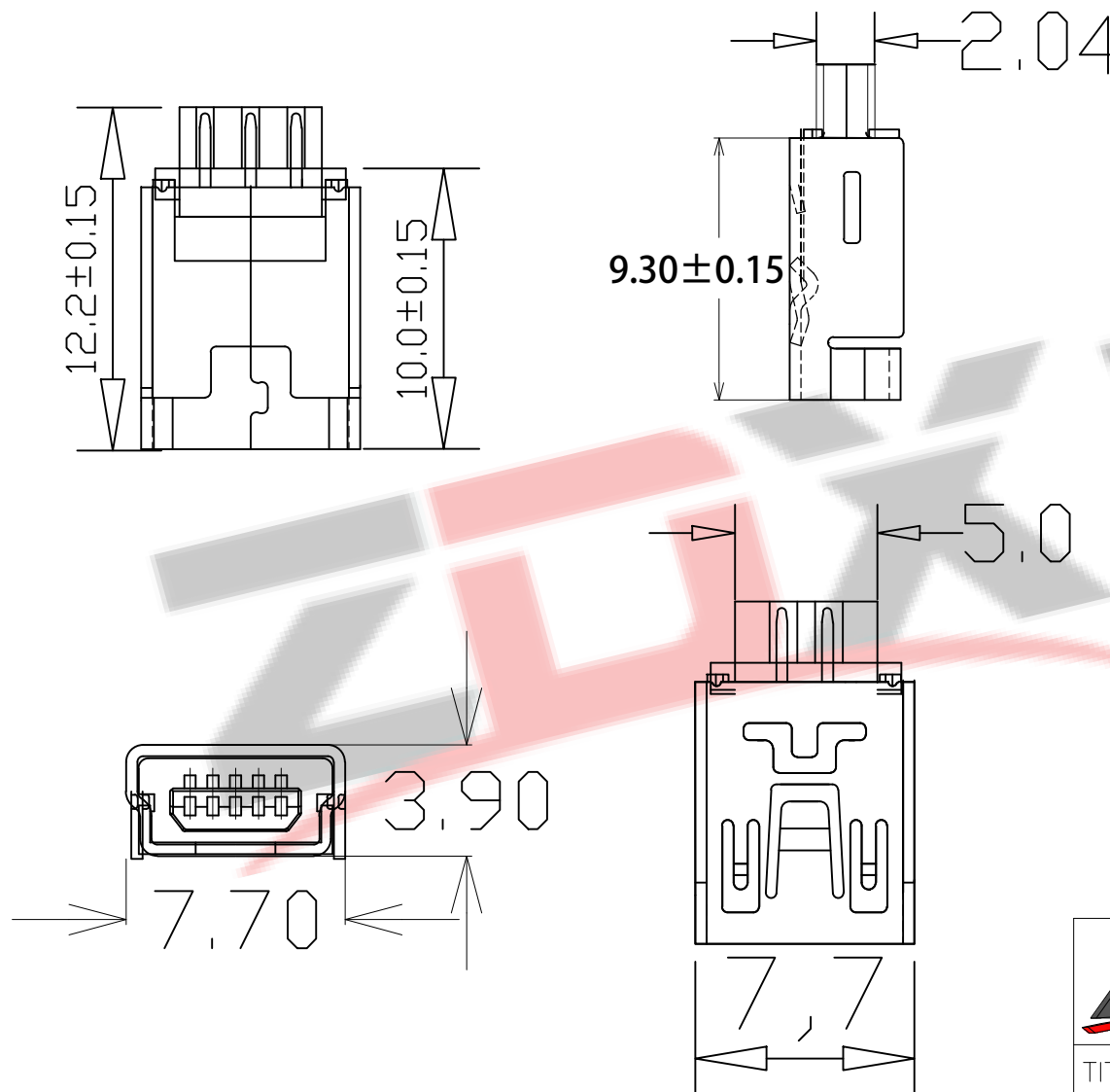
X=上板类型

PIN 数
 06:6PIN
 16:16PIN
 24:24PIN

以此产品为准

包装方式
 1. TRAY (吸塑盒)
 2. TAPE (编带)
 3. TAPE (袋装)

产品识别流水码



ZDX 深圳市兆达鑫科技有限公司
 Shenzhen zhaodaxin Technology Co., Ltd

TITLE:		PART NO.: ZDX-NFLD05ZD10		
MINI 5PIN 焊线式		TEL: 0755-29888153		
工程图		WEB: http://www.szzdjmkj.com/		
THIRD ANGLE PROJECTION	UNIT:	SCALE:	SIZE:	SHEET:
	mm	1:1	A4	1/2