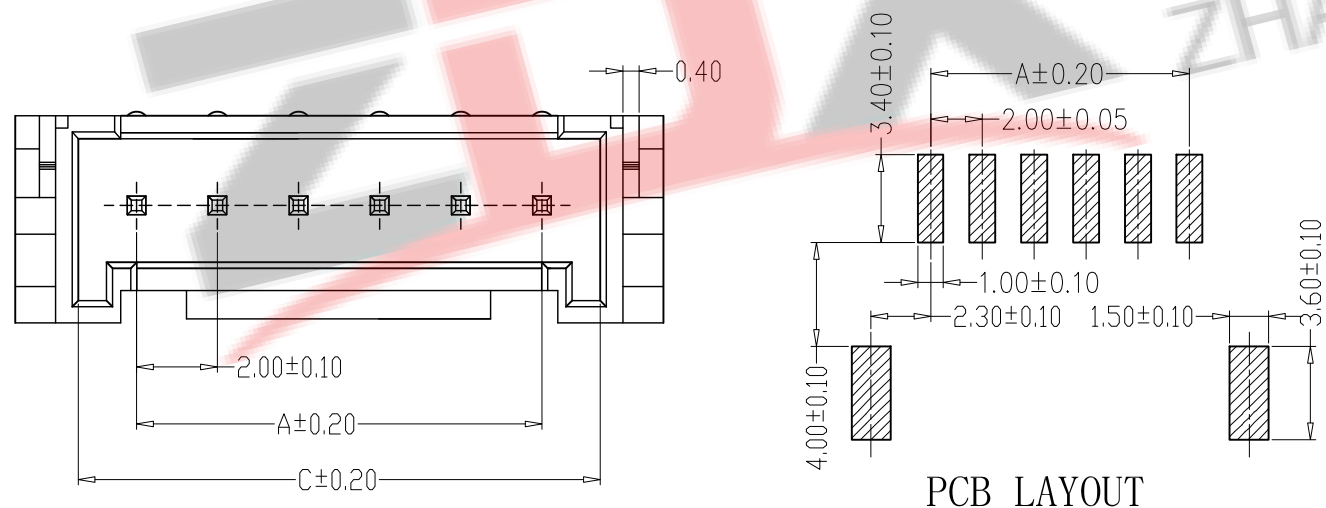


SPECIFICATIONS

- 1、Current Rating: 2A AC, DC
- 2、Voltage Rating: 250V AC, DC
- 3、Temperatuer Range: -25℃~+85℃
- 4、Contact Resistance: 20mΩ Max
- 5、Insulation Resistance: 1000MΩ Min
- 6、Withstanding Voltang: 1000V AC/minute
- 7、Material: Wafer LCP, UL94V-0
PIN Brass Tin-plated
Solder tad Brass Tin-plated



PCB LAYOUT

PIN=NAWB	尺寸 (mm)		
	A	B	C
A2006-02AWB	2.00	8.00	4.85
A2006-03AWB	4.00	10.00	6.85
A2006-04AWB	6.00	12.00	8.85
A2006-05AWB	8.00	14.00	10.85
A2006-06AWB	10.00	16.00	12.85
A2006-07AWB	12.00	18.00	14.85
A2006-08AWB	14.00	20.00	16.85
A2006-09AWB	16.00	22.00	18.85
A2006-10AWB	18.00	24.00	20.85
A2006-11AWB	20.00	26.00	22.85
A2006-12AWB	22.00	28.00	24.85
A2006-13AWB	24.00	30.00	26.85
A2006-14AWB	26.00	32.00	28.85
A2006-15AWB	28.00	34.00	30.85
A2006-20AWB	38.00	44.00	40.85

制图 DRAWN	变更内容 DESCRIPTION	日期 DATE	GENERAL TOLERANCE		制图 DRAWING	钱岳生		料号 PART NO.	ZDX-A2006-NAWB	版本 REV.	A				
			X.±0.25	X.*±2'		审核 CHECK	2013、07、01					品名 TITLE	HY贴片 WAFER SMT TYPE	页次 SHEET	1/1
			.X±0.20	.X'±1'			核准 APPROVAL								
			.XX±0.15	.XX'±0.5'		张名						2013、07、05	ZDX 深圳市兆达鑫科技有限公司 Shenzhen zhaodaxin Technology Co., Ltd		
.XXX±0.10	.XXX'±0.5'	单位 UNITS	MM	比例 SCALE	1:1										