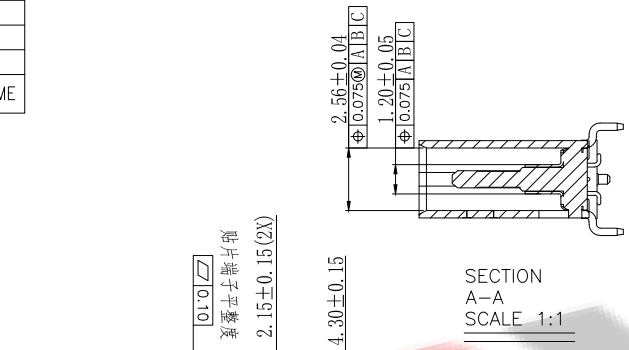
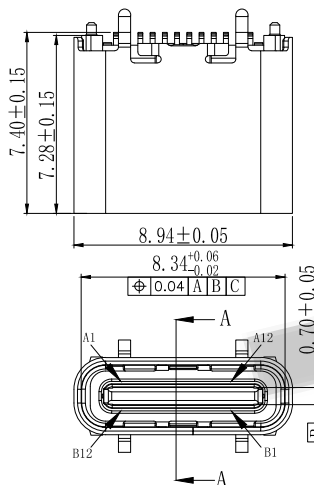
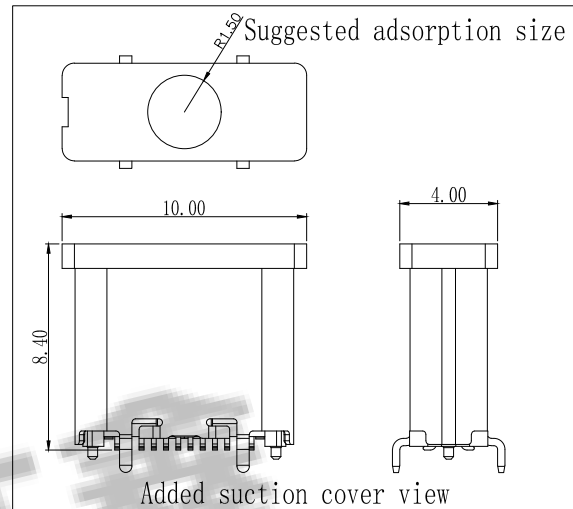
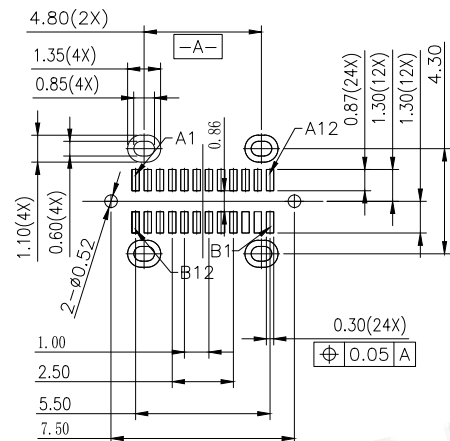
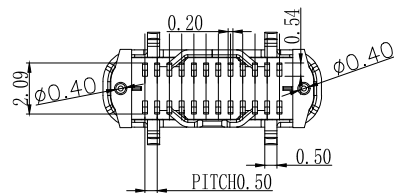
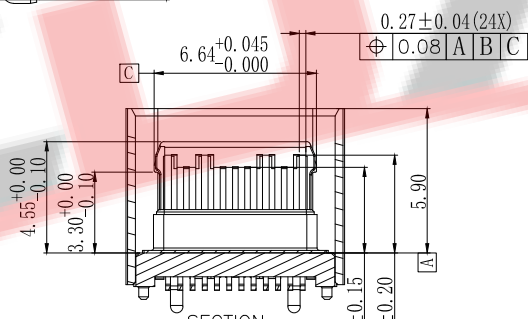
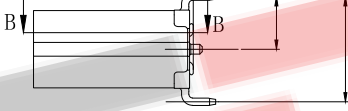
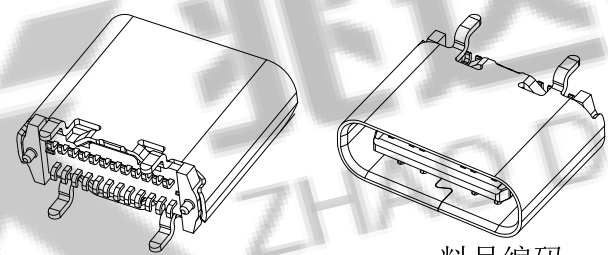


RoHS Compliant **Halogen Free**

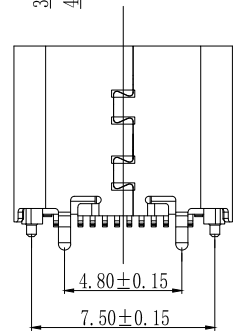
A1	GND	B12	GND
A2	SSTXP1	B11	SSRXP1
A3	SSTXN1	B10	SSRXN1
A4	VBUS	B9	VBUS
A5	CC1	B8	SBU2
A6	DP1	B7	DN2
A7	DN1	B6	DP2
A8	SBU1	B5	CC2
A9	VBUS	B4	VBUS
A10	SSRXN2	B3	SSTXN2
A11	SSRXP2	B2	SSTXP2
A12	GND	B1	GND
PIN	SIGNAL NAME	PIN	SIGNAL NAME



RECOMMENDED P.C.B. LAYOUT
TOLERANCE UNSPECIFIED ±0.05mm



SECTION B-B
SCALE 1:1



Note:
1.Material:
1.1 Housing: LCP
1.2 Contact:C7025,T=0.15mm
1.3 Shell: SUS304 T=0.3mm

2.ELECTRICAL:
2-1:CURRENT RATING:
VBUS AND GND CONTACTS RATED AT 1.25A PARALLELED FOR A TOTAL OF 5A;
2-2:INITIAL CONTACT RESISTANCE :40 MEGOHMS
2-3:DIELECTRIC WITHSTANDING VOLTAGE:
100V AC MIN;
3:MECHANICAL CHARACTERISTICS:
3-1:MATING FORCE:5~20N
3-2:UNMATING FORCE:8~20N(INITIAL),
6~20N(AFTER 10000 CYCLES)
3-3:FREQUENCY: 200±50 CYCLES /HOUR,
10000 CYCLES
3-4:OPERATING TEMPERATURE ;-40°~80°.

料号编码:

XXX - XX XX XX X X XXXX

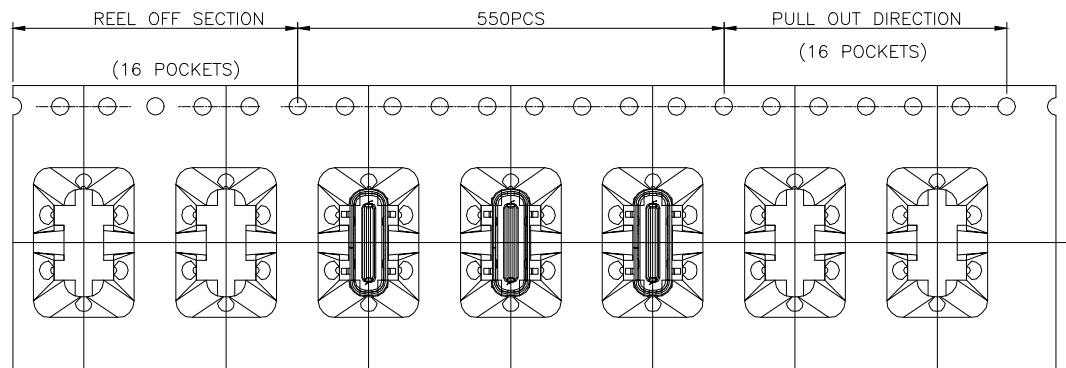
产品类别
A-USB A F-母座
B-USB B M-公头
C-USB C
M-MICRO
X-MINI
产品上板形态
L-立式
M-卧式
S-贴片
D-插件
C-沉板
J-夹板
H-焊线
XF-防水产品
X=上板类型
PIN 数
06:6PIN
16:16PIN
24:24PIN
以此产品为准
包装方式
1. TRAY (吸塑盒)
2. TAPE (编带)
3. TAPE (袋装)
产品识别流水码

ZDX 深圳市兆达鑫科技有限公司
Shenzhen zhaodaxin Technology Co., Ltd

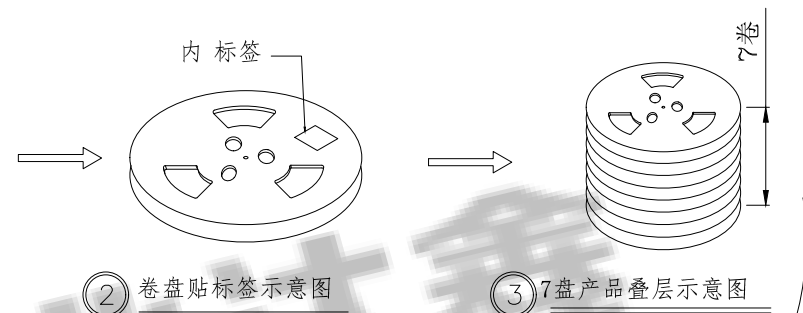
TITLE: TYPE-C 24PIN直立式母座H=7.4不带弹		PART NO.:ZDX-CFLS242CY07		
工程图		TEL:0755-29888153		
THIRD ANGLE PROJECTION		WEB: http://www.szzdjmj.com/		
	UNIT: mm	SCALE: 1:1	SIZE: A4	SHEET: 1/2

RoHS Compliant

Halogen Free

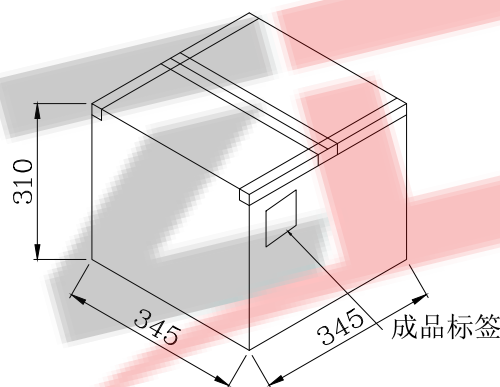


① 产品入载带示意图

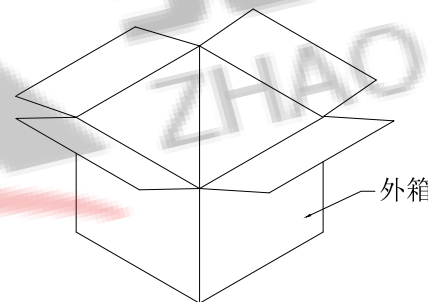


② 卷盘贴标签示意图

③ 7盘产品叠层示意图



⑤ 外箱封箱示意图



④ 产品入外箱示意图

包装说明:

1. 将检验好的成品;对插口朝前放入载带;每卷装600PCS产品;具体如图一所示
2. 将包装好的产品;每盘必需贴上内标签;具体如图二所示
3. 将贴好内标签的产品每7盘叠;具体如图三所示
5. 装好后并封好纸箱及贴好相关标签;具体如图五所示;
(产品包装的标签,如客户有要求,请按客户要求包装出货)
6. 载带前面留16PCS空格,后面留16PCS空格
7. COVER与CARRY剥离力:50-125g,速度:300mm/分钟左右,剥离角度:165°-180°

	REEL	CARTON
CONNECTOR (PCS)	600	4200

ZDX 深圳市兆达鑫科技有限公司
Shenzhen zhaodaxin Technology Co., Ltd

TITLE: TYPE-C 16PIN/24PIN直立式母座包装规范		PART NO.:ZDX-CFLS242CY07		
工程图		TEL:0755-29888153		
THIRD ANGLE PROJECTION		WEB: http://www.szzdjmkj.com/		
	UNIT: mm	SCALE: 1:1	SIZE: A4	SHEET: 2/2