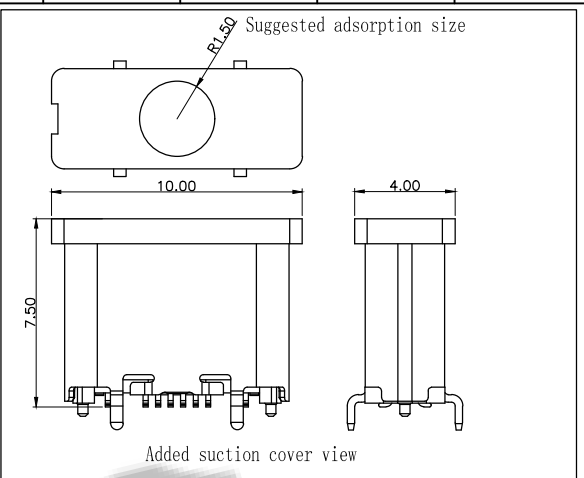
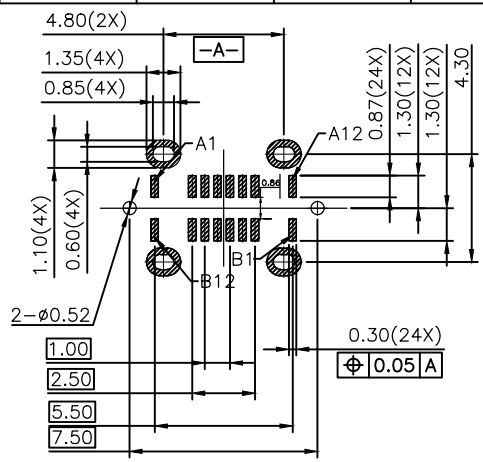
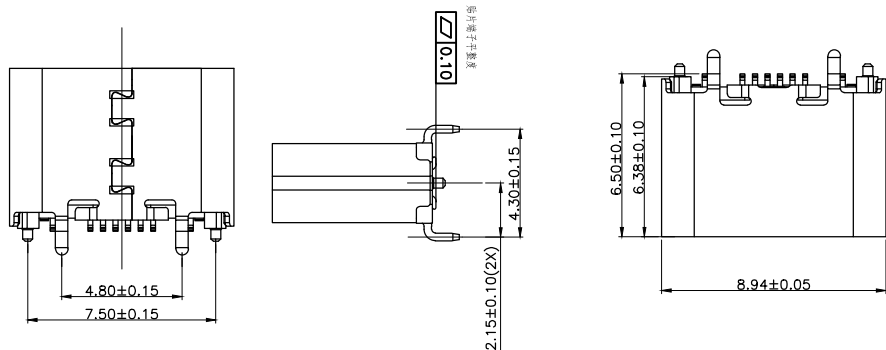
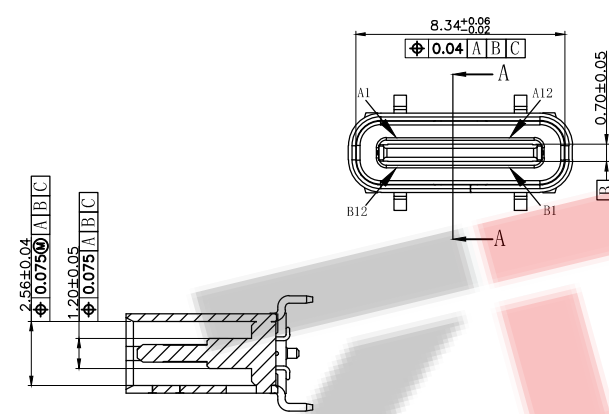


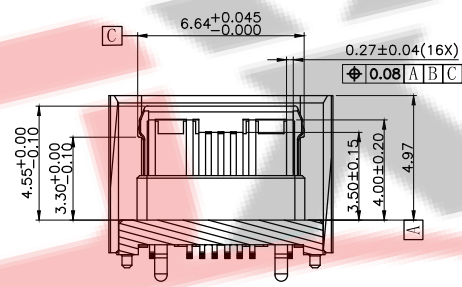
RoHS Compliant Halogen Free



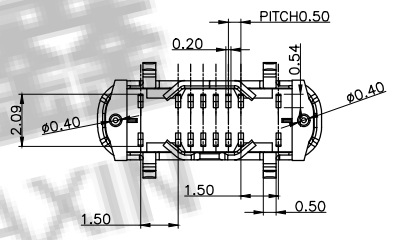
RECOMMENDED P.C.B. LAYOUT  
TOLERANCE UNSPECIFIED ±0.05mm



SECTION A-A  
SCALE 1:1



SECTION B-B  
SCALE 1:1



料号编码:

XXX - XX XX XX X X XXXX

产品类别: A-USB A, B-USB B, C-USB C, M-MICRO, X-MINI, F-母座, M-公头

产品上板形态: L-立式, M-卧式

PIN 数: 06:6PIN, 16:16PIN, 24:24PIN (以此产品为准)

包装方式: 1. TRAY (吸塑盒), 2. TAPE (编带), 3. TAPE (袋装)

产品识别流水码

Note:

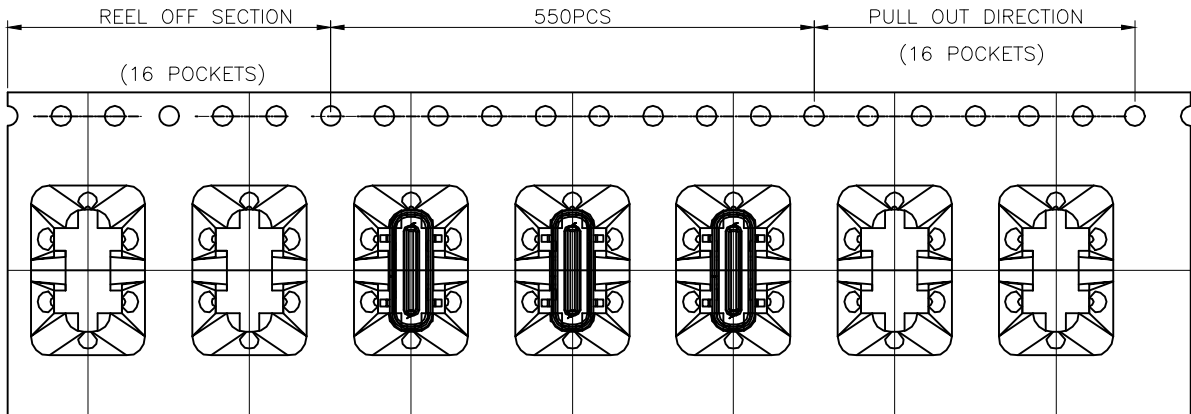
- Material:
  - Housing: LCP
  - Contact: C7025, T=0.15mm
  - Shell: SUS304 T=0.3mm
- ELECTRICAL:
  - CURRENT RATING: VBUS AND GND CONTACTS RATED AT 1.25A PARALLELED FOR A TOTAL OF 5A;
  - INITIAL CONTACT RESISTANCE :40 MEGOHMS
  - DIELECTRIC WITHSTANDING VOLTAGE: 100V AC MIN;
- MECHANICAL CHARACTERISTICS:
  - MATING FORCE: 5~20N
  - UNMATING FORCE: 8~20N (INITIAL), 6~20N (AFTER 10000 CYCLES)
  - FREQUENCY: 200±50 CYCLES / HOUR, 10000 CYCLES
  - OPERATING TEMPERATURE ; -40°~80°.

A1	GND	B12	GND
A4	VBUS	B9	VBUS
A5	CC1	B8	SBU2
A6	DP1	B7	DN2
A7	DN1	B6	DP2
A8	SBU1	B5	CC2
A9	VBUS	B4	VBUS
A12	GND	B1	GND
PIN	SIGNAL NAME	PIN	SIGNAL NAME

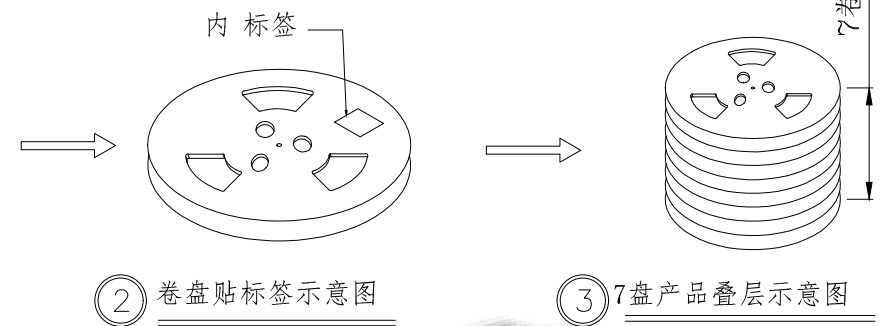
**ZDX** 深圳市兆达鑫科技有限公司  
Shenzhen zhaodaxin Technology Co., Ltd

TITLE:		PART NO.: ZDX-CFLS162CY19		
TYPE-C 16PIN 直立式母座 H=6.5 无弹片		TEL: 0755-29888153		
工程图		WEB: <a href="http://www.szzdjmj.com/">http://www.szzdjmj.com/</a>		
THIRD ANGLE PROJECTION	UNIT:	SCALE:	SIZE:	SHEET:
	mm	1:1	A4	1/2

RoHS Compliant Halogen Free

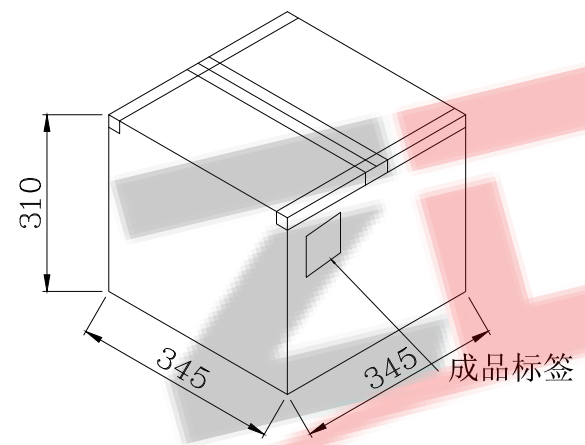


① 产品入载带示意图

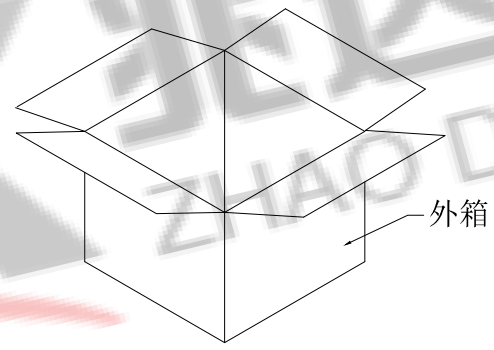


② 卷盘贴标签示意图

③ 7盘产品叠层示意图



⑤ 外箱封箱示意图



④ 产品入外箱示意图

	REEL	CARTON
CONNECTOR (PCS)	600	4200

包装说明:

1. 将检验好的成品;对插口朝前放入载带;每卷装600PCS产品;具体如图一所示
2. 将包装好的产品;每盘必需贴上内标签;具体如图二所示
3. 将贴好内标签的产品每7盘叠;具体如图三所示
5. 装好后并封好纸箱及贴好相关标签;具体如图五所示;  
(产品包装的标签,如客户有要求,请按客户要求包装出货)
6. 载带前面留16PCS空格,后面留16PCS空格
7. COVER与CARRY剥离力:50-125g,速度:300mm/分钟左右,剥离角度:165°-180°

**ZDX** 深圳市兆达鑫科技有限公司  
Shenzhen zhaodaxin Technology Co., Ltd

TITLE:		PART NO.:ZDX-CFLS162CY19		
TYPE-C 16PIN/24PIN直立式母座包装规范		TEL:0755-29888153		
工程图		WEB: http://www.szzdjmkj.com/		
THIRD ANGLE PROJECTION	UNIT:	SCALE:	SIZE:	SHEET:
	mm	1:1	A4	2/2