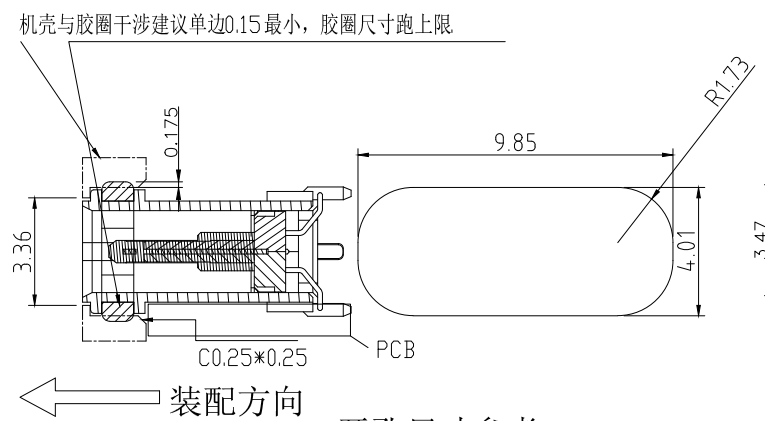
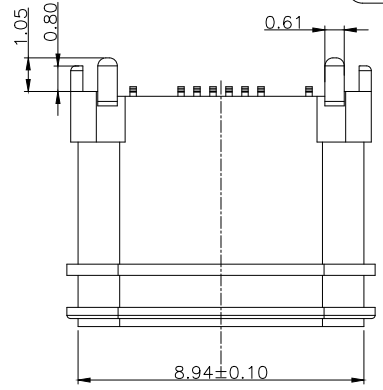
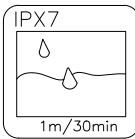


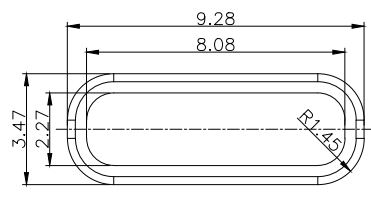
RoHS Compliant Halogen Free

customer drawing

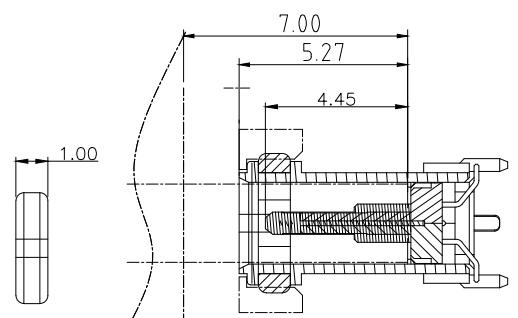


组装示意图

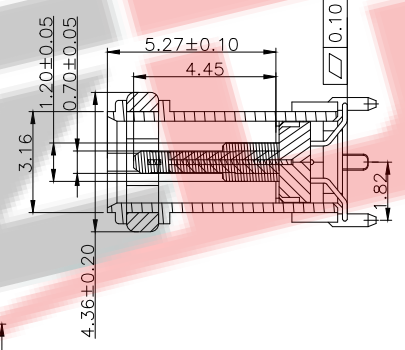
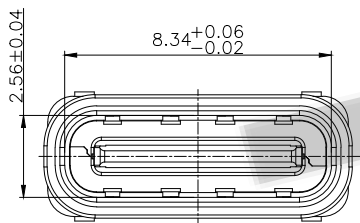
开孔尺寸参考
组装外壳时需要打环保润滑油



胶圈使用尺寸参考图



plug 插入深度参考图

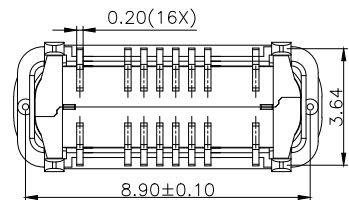
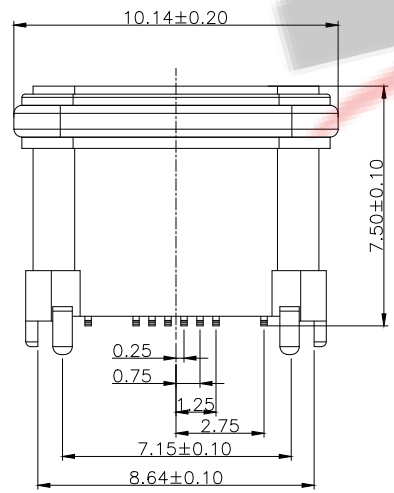


料号编码:

XXX - XX XX XX X X XXXX

- 公司名称
- 产品类别: A-USBA, B-USBB, C-USBC, M-MICRO, N-MINI, F-母座, M-公头
- 产品上板形态: L-立式, M-卧式
- S-贴片, D-插件, C-沉板, J-夹板, H-焊线, XF-防水产品, X=上板类型
- PIN 数: 06:6PIN, 16:16PIN, 24:24PIN, 以此产品为准
- 包装方式: 1. TRAY (吸塑盒), 2. TAPE (编带), 3. TAPE (袋装)
- 产品识别流水码

- Note:
- Material:
 - Housing: LCP
 - Contact: C7025, t=0.20mm
 - Shell: SUS316
 - ELECTRICAL:
 - CURRENT RATING:
 - VBUS AND GND CONTACTS RATED AT 1.25A PARALLELED FOR A TOTAL OF 5A;
 - INITIAL CONTACT RESISTANCE :40 MEGOHMS
 - DIELECTRIC WITHSTANDING VOLTAGE:
 - 100V AC MIN;
 - MECHANICAL CHARACTERISTICS:
 - MATING FORCE: 5~20N
 - UNMATING FORCE: 8~20N (INITIAL), 6~20N (AFTER 10000 CYCLES)
 - FREQUENCY: 200±50 CYCLES / HOUR, 10000 CYCLES
 - OPERATING TEMPERATURE ; -40°~80°.
- TABLE B



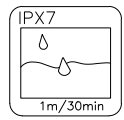
ZDX 深圳市兆达鑫科技有限公司
Shenzhen zhaodaxin Technology Co., Ltd

TITLE:		PART NO.: ZDX-CFLSF162CY08		
TYPE-C 16PIN 直立式防水母座双簧位 7.50 外壳粉末冶金		TEL: 0755-29888153		
工程图		WEB: http://www.szzdjmkj.com/		
THIRD ANGLE PROJECTION	UNIT:	SCALE:	SIZE:	SHEET:
	mm	1:1	A4	1/3

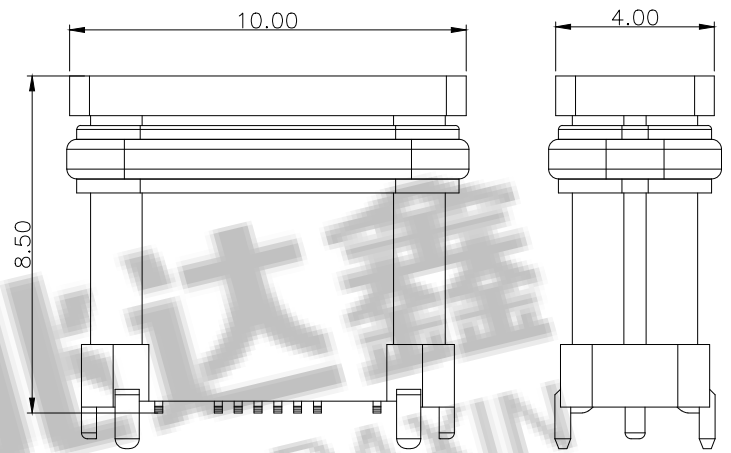
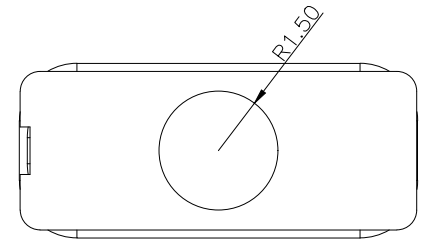
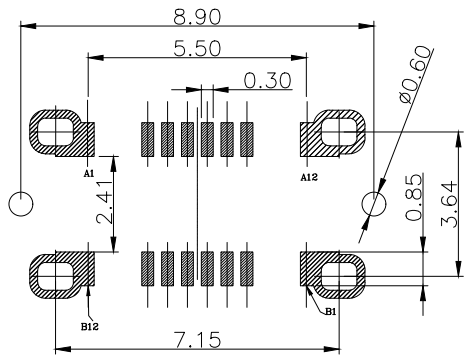
RoHS Compliant

Halogen Free

customer drawing



Suggested adsorption size



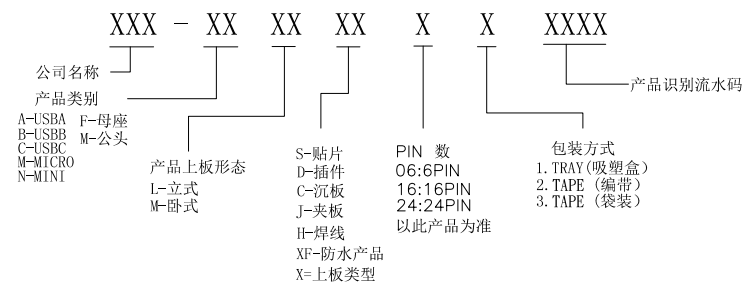
RECOMMENDED P.C.B. LAYOUT (T:1.00mm)
TOLERANCE UNSPECIFIED ±0.05mm

USB TYPE-C PIN ASSIGNMENTS

PIN NUMBER	SIGNAL NAME	PIN NUMBER	SIGNAL NAME
A1	GND	B12	GND
A2	TXp1	B11	RXp1
A3	TXn1	B10	RXn1
A4	VBUS	B9	VBUS
A5	CC1	B8	SBU2
A6	Dp1	B7	Dn2
A7	Dn1	B6	Dp2
A8	SBU1	B5	CC2
A9	VBUS	B4	VBUS
A10	RXn2	B3	TXn2
A11	RXp2	B2	TXp2
A12	GND	B1	GND

Added suction cover view

料号编码:



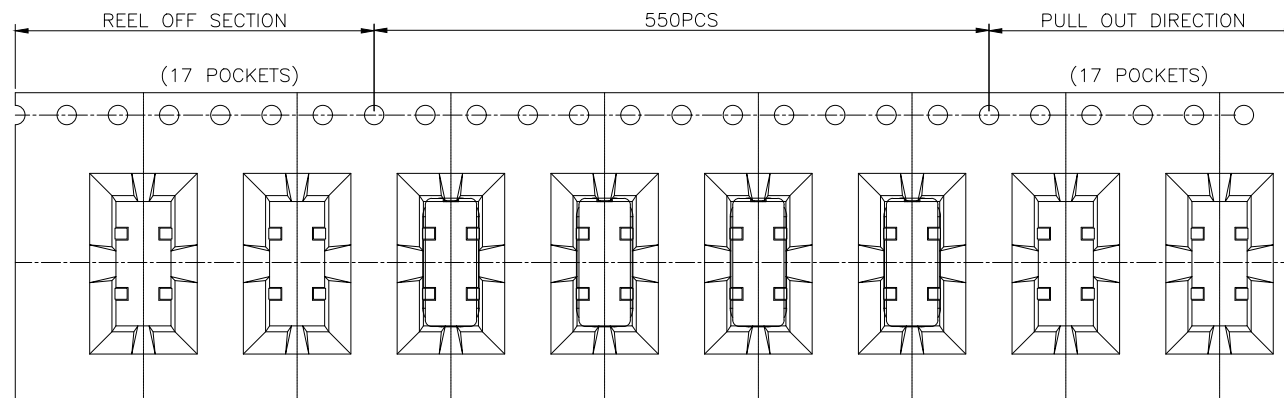
ZDX 深圳市兆达鑫科技有限公司
Shenzhen zhaodaxin Technology Co., Ltd

TITLE: TYPE-C 16PIN直立式防水母座双筋7.50 外壳粉末冶金		PART NO.: ZDX-CFLSF162CY08		
工程图		TEL: 0755-29888153		
THIRD ANGLE PROJECTION		WEB: http://www.szzdjmkj.com/		
	UNIT: mm	SCALE: 1:1	SIZE: A4	SHEET: 2/3

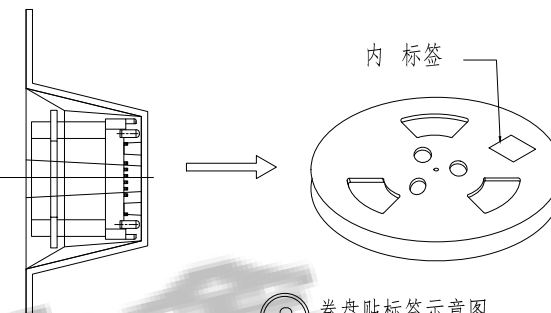
RoHS Compliant

Halogen Free

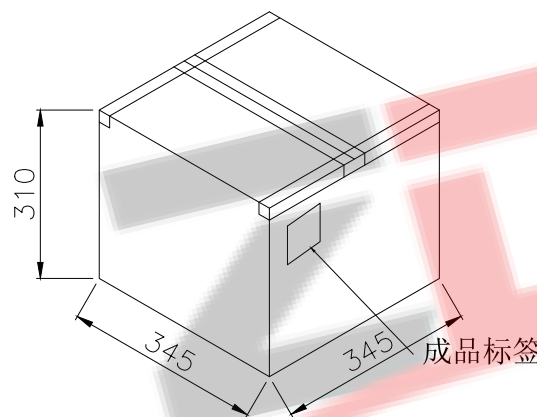
customer drawing



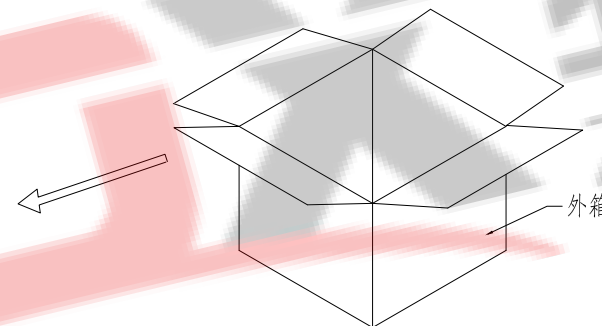
① 产品入载带示意图



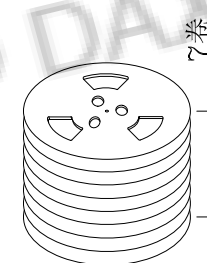
② 卷盘贴标签示意图



⑤ 外箱封箱示意图



④ 产品入外箱示意图



③ 7盘产品叠层示意图

	REEL	CARTON
CONNECTOR (PCS)	550	3850

包装说明:

1. 将检验好的成品;对插口朝前放入载带;每卷装550PCS产品;具体如图一所示
2. 将包装好的产品;每盘必需贴上内标签;具体如图二所示
3. 将贴好内标签的产品每7盘叠;具体如图三所示
5. 装好后并封好纸箱及贴好相关标签;具体如图五所示;
(产品包装的标签,如客户有要求,请按客户要求包装出货)
6. 载带前面留17PCS空格,后面留17PCS空格
7. COVER与CARRY剥离力:50-125g,速度:300mm/分钟左右,剥离角度:165°-180°

ZDX 深圳市兆达鑫科技有限公司
Shenzhen zhaodaxin Technology Co., Ltd

TITLE: TYPE-C 24/16PIN直立式防水母座 粉末冶金 包规
PART NO.: ZDX-CFLSF162CY08
TEL: 0755-29888153
WEB: <http://www.szzdjmj.com/>

工程图
THIRD ANGLE PROJECTION
UNIT: mm
SCALE: 1:1
SIZE: A4
SHEET: 3/3