

加防水圈示意图

NOTES:

SPECIFICATION:

- 1.CURRENT RATING: 3.0A MAX
- 2.VOLTAGE: 100 VAC
- 3.TEMPERATURE RANGE: -30°C~+85°C
- 4.CONTACT RESISTANCE: 40 MILLION HM MAX
- 5.INSULATION RESISTANCE: 100 MEG OHMS MIN
- 6.INSERTION FORCE: 5N~20N
- 7.UNMATING FORCE: 8N~20N
- 8.DURABILITY: 10000 CYCLES
- 9.WATER PROOFNESS:THIS PRODUCT IS BASED ON IPX8.

RECOMMEND P.C.B LAYOUT (COMPONENT SIDE)  
TOLERANCE FOR PCB LAYOUT IS ±0.05

料号编码:

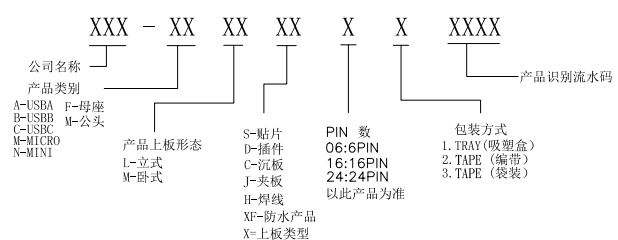


TABLE:

NO	PART	Q'TY	MATERIAL
1	SHELL	1	STAINLESS STEEL, NI PLATED
2	CONTACT	6	COPPER STEEL, TIN/Au/NI PLATED
3	MID PLATE	1	STAINLESS STEEL, NO PLATING
4	1MD HOUSING	1	HIGH TEMPERATURE RESISTANT PLASTIC BLACK UL94 V-0
5	2MD HOUSING	1	HIGH TEMPERATURE RESISTANT PLASTIC BLACK UL94 V-0
6	SHIELDING PLATE	1	STAINLESS STEEL, NI PLATED

USB TYPE-C PIN ASSIGNMENTS

PIN NUMBER	A1	A2	A3	A4	A5	A6	A7	A8	A9	A10	A11	A12
SIGNAL NAME					CC1				V <sub>BUS</sub>			GND
PIN NUMBER	B12	B11	B10	B9	B8	B7	B6	B5	B4	B3	B2	B1
SIGNAL NAME	GND			V <sub>BUS</sub>				CC2				

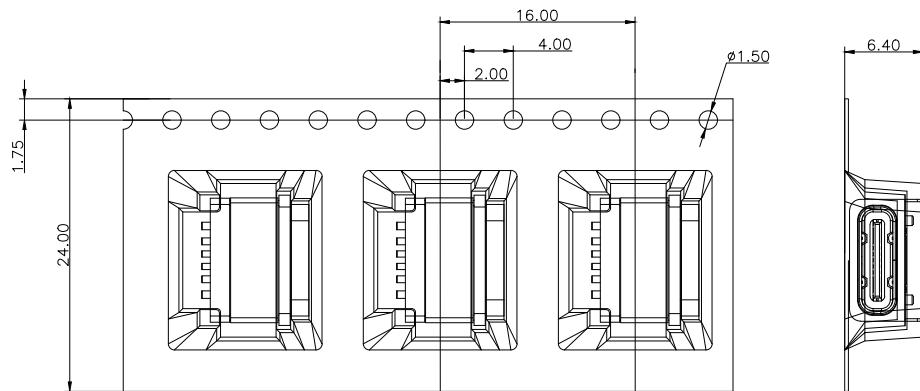
**ZDX** 深圳市兆达鑫科技有限公司  
Shenzhen zhaodaxin Technology Co., Ltd

TITLE:		PART NO.: ZDX-CFMSF62CY34		
TYPE-C 6PIN板上两脚插板SMT防水母座 中柱 防水等级IPX8级 外露1.50		TEL: 0755-29888153		
工程图		WEB: <a href="http://www.szzdjmkj.com/">http://www.szzdjmkj.com/</a>		
THIRD ANGLE PROJECTION	UNIT:	SCALE:	SIZE:	SHEET:
	mm	1:1	A4	1/2

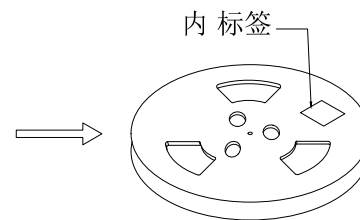
RoHS Compliant

Halogen Free

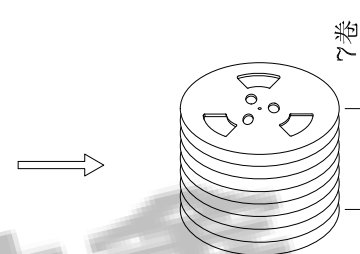
customer drawing



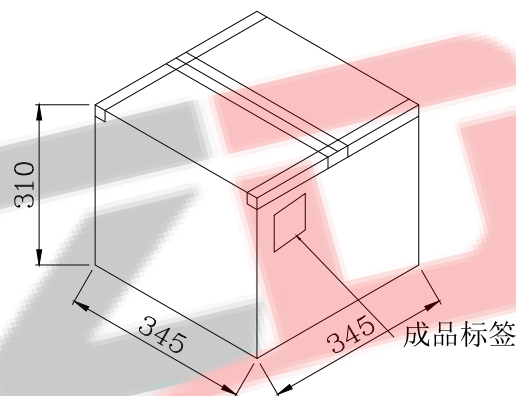
① 产品入载带示意图



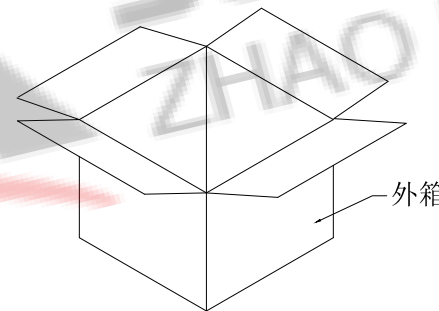
② 卷盘贴标签示意图



③ 7盘产品叠层示意图



⑤ 外箱封箱示意图



④ 产品入外箱示意图

	REEL	CARTON
CONNECTOR (PCS)	700	4900

包装说明:

1. 将检验好的成品;对插口朝前放入载带;每卷装700PCS产品;具体如图一所示
2. 将包装好的产品;每盘必需贴上内标签;具体如图二所示
3. 将贴好内标签的产品每7盘叠;具体如图三所示
5. 装好后并封好纸箱及贴好相关标签;具体如图五所示;  
(产品包装的标签,如客户有要求,请按客户要求包装出货)
6. 载带前面留16PCS空格,后面留16PCS空格
7. COVER与CARRY剥离力:50-125g,速度:300mm/分钟左右,剥离角度:165°-180°



深圳市兆达鑫科技有限公司

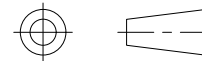
Shenzhen zhaodaxin Technology Co., Ltd

TITLE:

TYPE-C 6PIN 180度插板DIP防水母座 H=10.8MM 脚长1.35MM IPX7级

工程图

THIRD ANGLE PROJECTION



PART NO.: ZDX-CFMSF62CY34

TEL: 0755-29888153

WEB: <http://www.szzdjmj.com/>

UNIT:

mm

SCALE:

1:1

SIZE:

A4

SHEET:

1/2