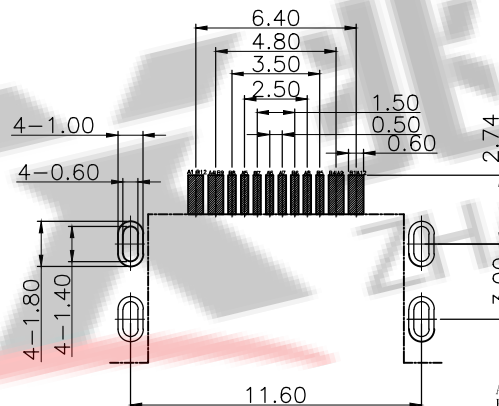
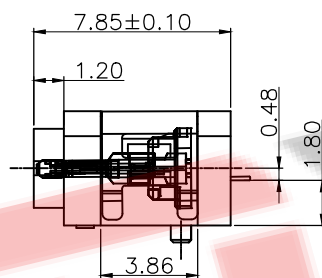
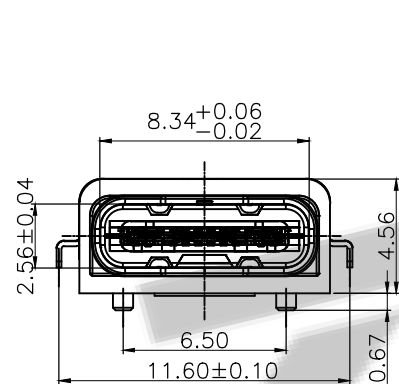
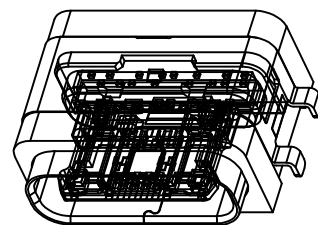
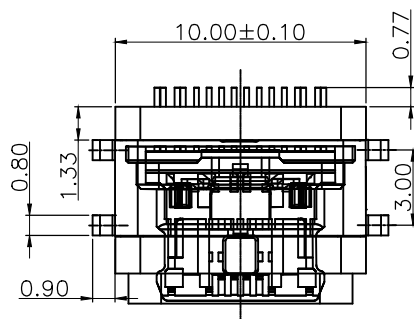


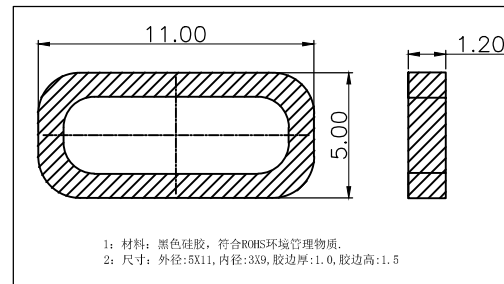
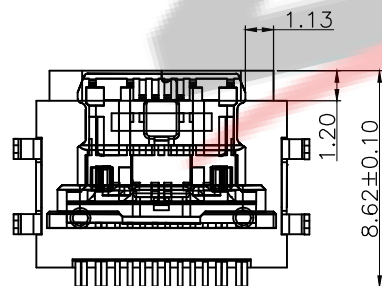
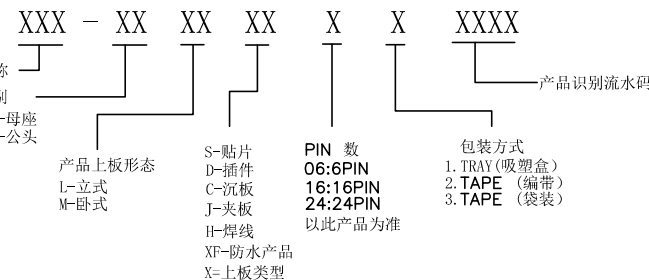
NOTES:

SPECIFICATION:

1. CURRENT RATING: 5A MAX
2. VOLTAGE: 100 VAC
3. TEMPERATURE RANGE: -40 °C ~ 85 °C
4. CONTACT RESISTANCE: 40 MILLIONHM MAX
5. INSULATION RESISTANCE: 100 MEGOHMS MIN.
6. LNSERTION FORCE : 5N~20N
7. UNMATING FORCE: 8N~20N
8. DURABILITY: 10,000 CYCLES
9. Water Resistance: IPX7



料号编码:



建议防水圈



深圳市兆达鑫科技有限公司

Shenzhen zhaodaxin Technology Co., Ltd

TITLE:

PART NO.: ZDX-CFMSF162CY22

TYPE-C 16PIN沉板4脚插板防水母座头部外露1.2中心高0.48

TEL: 0755-29888153

工程图

WEB: <http://www.szzdjmkj.com/>

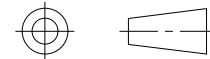
THIRD ANGLE PROJECTION

UNIT:

SCALE:

SIZE:

SHEET:



mm

1:1

A4

1/2