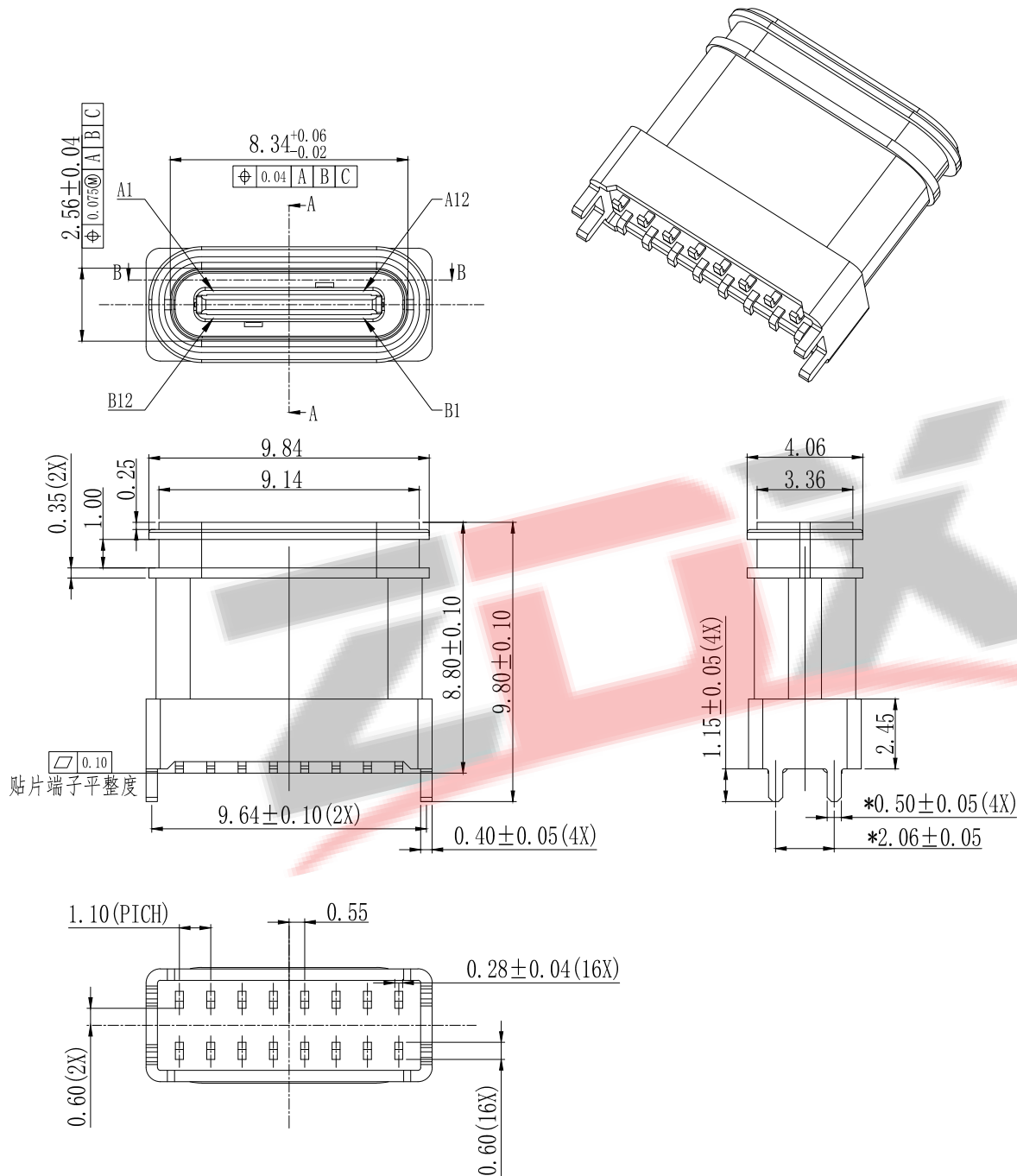


RoHS Compliant Halogen Free



Note:

1. Material:

1.1 Housing: LCP

1.2 Contact: C2680, T=0.15mm

1.3 Shell: SUS316

2. ELECTRICAL:

2-1: CURRENT RATING:

VBUS AND GND CONTACTS RATED AT 1.25A  
PARALLELED FOR A TOTAL OF 5A;

2-2: INITIAL CONTACT RESISTANCE : 40 MEGOHMS

2-3: DIELECTRIC WITHSTANDING VOLTAGE:  
100V AC MIN;

3: MECHANICAL CHARACTERISTICS:

3-1: MATING FORCE: 5~20N

3-2: UNMATING FORCE: 8~20N (INITIAL),  
6~20N (AFTER 10000 CYCLES)

3-3: FREQUENCY: 200 ± 50 CYCLES / HOUR,  
10000 CYCLES

3-4: OPERATING TEMPERATURE ; -40° ~ 80° .

料号编码:

XXX - XX XX XX X X XXXX

产品类别

A-USBA F-母座  
B-USBB M-公头  
C-USBC  
M-MICRO  
X-MINI

产品上板形态  
L-立式  
M-卧式

S-贴片  
D-插件  
C-沉板  
J-夹板  
H-焊线  
XF-防水产品  
X-上板类型

PIN 数  
06:6PIN  
16:16PIN  
24:24PIN  
以此产品为准

包装方式  
1. TRAY (吸塑盒)  
2. TAPE (编带)  
3. TAPE (袋装) / (管装)

产品识别流水码

**ZDX** 深圳市兆达鑫科技有限公司  
Shenzhen zhaodaxin Technology Co., Ltd

TITLE:

TYPE-C 16PIN 直立式粉末冶金四脚外壳双圈H=8.8 IPX7

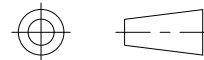
PART NO.: ZDX-CFLSF162CY46

TEL: 0755-29888153

工程图

WEB: <http://www.szzdjmkj.com/>

THIRD ANGLE PROJECTION



UNIT:

mm

SCALE:

1:1

SIZE:

A4

SHEET:

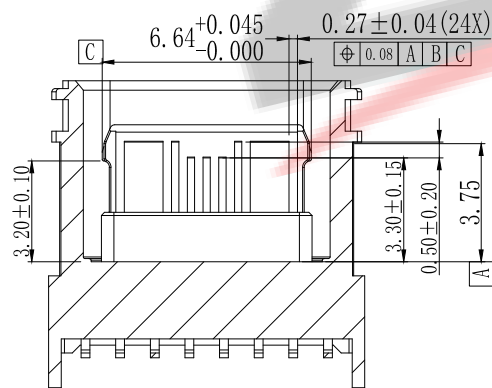
1/2

RoHS Compliant

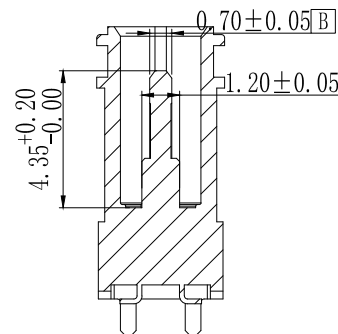
Halogen Free

USB TYPE-C PIN ASSIGNMENTS

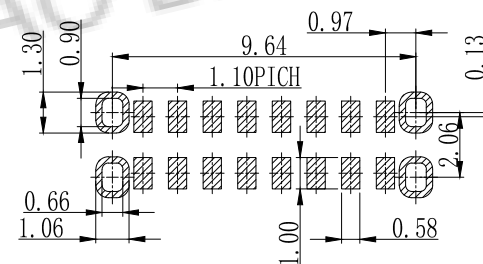
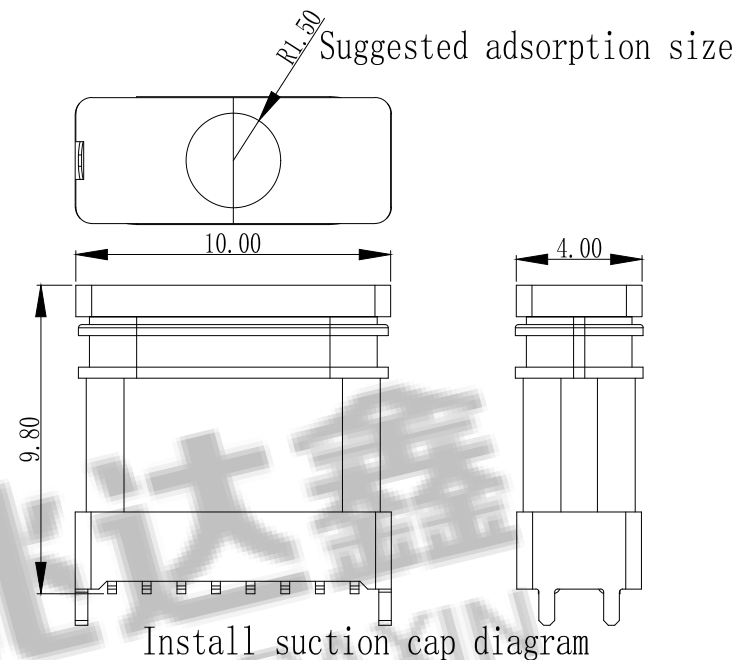
PIN NUMBER	SIGNAL NAME	PIN NUMBER	SIGNAL NAME
A1	GND	B12	GND
A2	TXp1	B11	RXp1
A3	TXn1	B10	RXn1
A4	VBUS	B9	VBUS
A5	CC1	B8	SBU2
A6	Dp1	B7	Dn2
A7	Dn1	B6	Dp2
A8	SBU1	B5	CC2
A9	VBUS	B4	VBUS
A10	RXn2	B3	TXn2
A11	RXp2	B2	TXp2
A12	GND	B1	GND



截面B-B



截面A-A



深圳市兆达鑫科技有限公司

Shenzhen zhaodaxin Technology Co., Ltd

TITLE:

TYPE-C 16PIN 直立式 粉末冶金 四脚外壳 双圈 H=8.8 IPX7

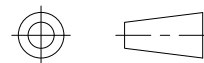
PART NO.: ZDX-CFLSF162CY46

TEL: 0755-29888153

工程图

WEB: <http://www.szzdjmkj.com/>

THIRD ANGLE PROJECTION



UNIT:

mm

SCALE:

1:1

SIZE:

A4

SHEET:

2/2