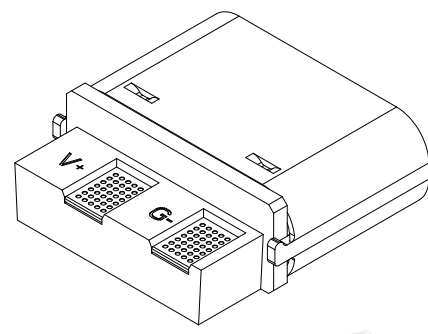
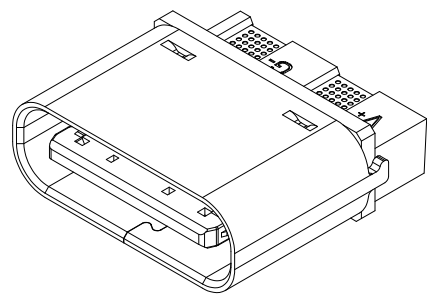
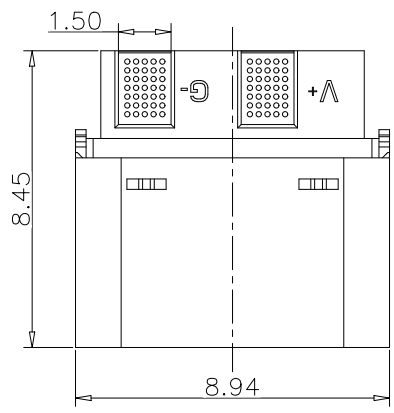


RoHS Compliant

Halogen Free

customer drawing



备注 (NOTE):

1. 电气特性:
- 1.1. 接触区: 接触电阻40mΩ Max, 允许10mΩ变化量. 测试条件: 20mv, 100mA下测量.
  - 1.2. 接触电流: 3A最大.
  - 1.3. 额定电压: 30V.
  - 1.4. 耐电电压: 100VR. M. S.
  - 1.5. 绝缘电阻: 至少100兆欧.
2. 机械性能:
- 3.1. 插入力: 0.51-2.04Kg
  - 3.2. 拔出力: 0.82-2.04Kg
  - 3.3. 耐久性: 0.61-2.04Kg
  - 3.4. 插拔次数: 10000次.
4. 工作环境: -20°C to +85°C.

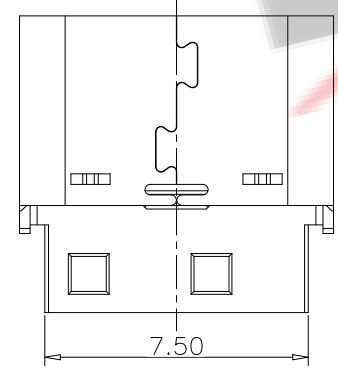
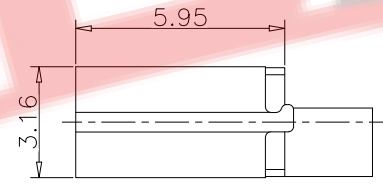
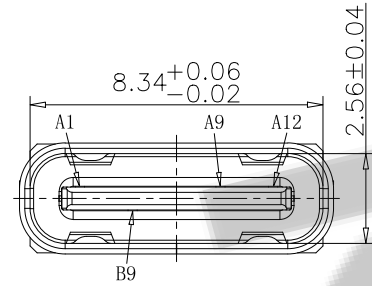
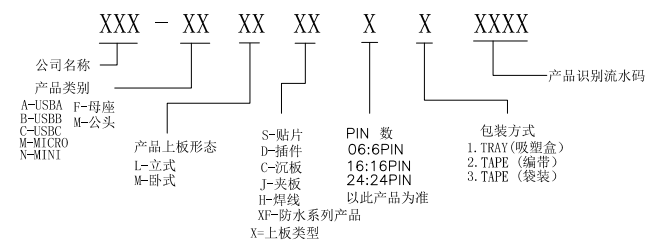


TABLE:

NO	PART	Q'TY	Material
1	SHELL	1	STAINLESS STEEL, Ni PLATED 30u"Min
2	CONTACT	4	COPPER STEEL, Ni 50u"Min; Au u"
3	MID PLATE	1	STAINLESS STEEL, NO PLATING
4	MD HOUSING	1	HIGH TEMPERATURE RESISTANT PLASTIC BLACK UL94 V-0

料号编码:



PIN ASSIGNMENT:

PIN NO	A1&A12	A9&B9
SIGNAL NAME	GND(G-)	VBUS(V+)

**ZDX** 深圳市兆达鑫科技有限公司  
Shenzhen zhaodaxin Technology Co., Ltd

TITLE: TYPE C 2P焊线式母座L=8.45		PART NO.: ZDX-CFMHF023AL03		
工程图		TEL: 0755-29888153		
THIRD ANGLE PROJECTION		WEB: <a href="http://www.szzdjmkj.com/">http://www.szzdjmkj.com/</a>		
UNIT: mm	SCALE: 1:1	SIZE: A4	SHEET: 1/2	