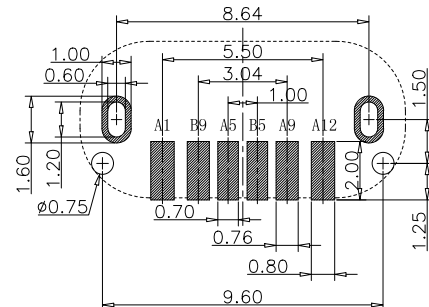
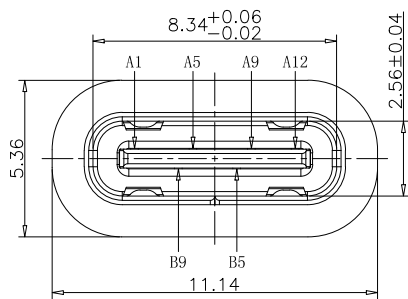


RoHS Compliant

Halogen Free



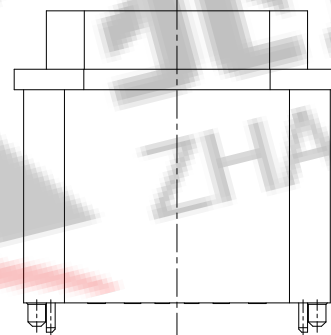
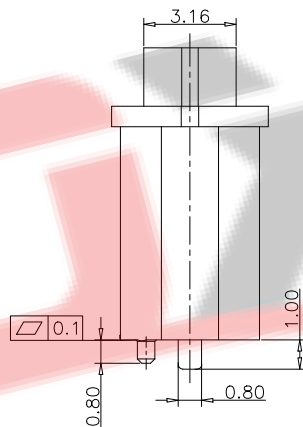
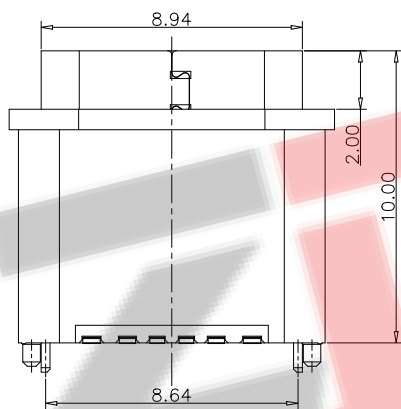
customer drawing



RECOMMEND P.C.B LAYOUT (COMPONENT SIDE)
TOLERANCE FOR PCB LAYOUT IS ±0.05

备注 (NOTE):

- 电气特性:
 - 接触区: 接触电阻40mΩ Max, 允许10mΩ变化量. 测试条件: 20mv, 100mA下测量.
 - 接触电流: 3A VBUS引脚; 1.25A用于GND引脚; 其他引脚为0.25A.
 - 额定电压: 5V.
 - 耐电电压: 100VAC.
 - 绝缘电阻: 至少100兆欧.
- 机械性能:
 - 插入力: 0.5-2.0Kg
 - 拔出力: 0.6-2.04Kg
 - 插拔次数: 10000次.
 - 可焊性: 温度210-230°C, 时间10秒.
 - 工作环境: -20°C to +85°C.



USB TYPE C PIN ASSIGNMENTS

PIN NUMBER	SIGNAL NAME	PIN NUMBER	SIGNAL NAME
A1	GND	B9	VBUS
A5	CC1	B5	CC2
A9	VBUS		
A12	GND		

料号编码:

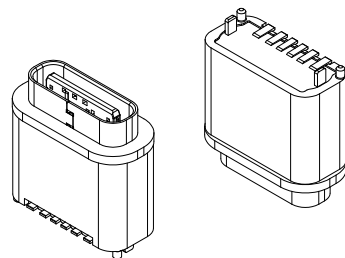
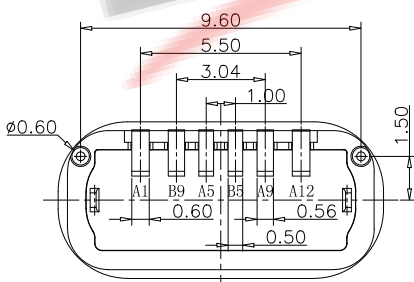
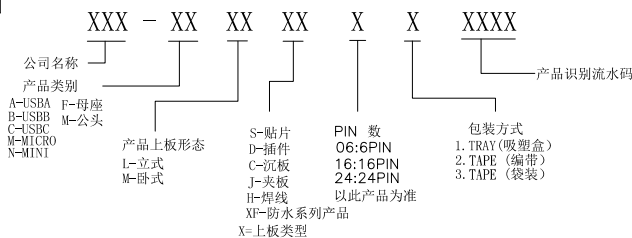


TABLE:

NO	PART	Q'TY	Material
1	SHELL	1	STAINLESS STEEL, NI PLATED
2	CONTACT	6	COPPER STEEL, TIN/Au/NI PLATED
3	1MD HOUSING	1	HIGH TEMPERATURE RESISTANT PLASTIC BLACK UL94 V-0
4	2MD HOUSING	1	HIGH TEMPERATURE RESISTANT PLASTIC BLACK UL94 V-0

ZDX 深圳市兆达鑫科技有限公司
Shenzhen zhaodaxin Technology Co., Ltd

TITLE:		PART NO.: ZDX-CFLSF062AL11		
TYPE C 6P 防水母座立式贴板H=10.0mm		TEL: 0755-29888153		
工程图		WEB: http://www.szzdjmj.com/		
THIRD ANGLE PROJECTION	UNIT:	SCALE:	SIZE:	SHEET:
	mm	1:1	A4	1/2