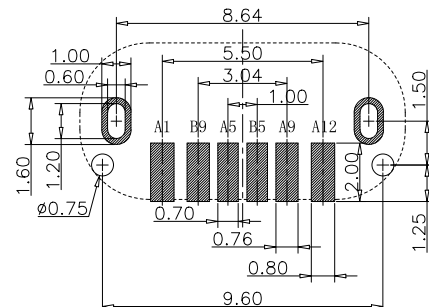
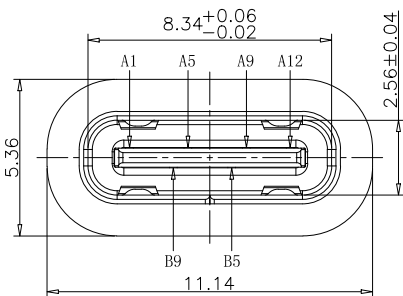
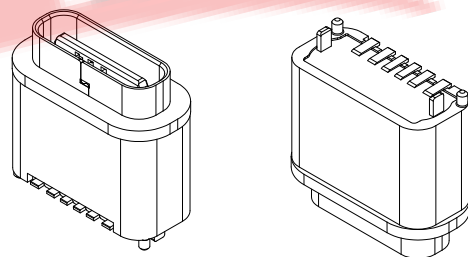
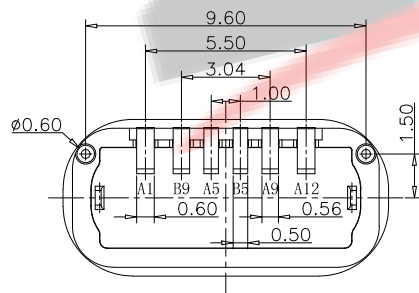
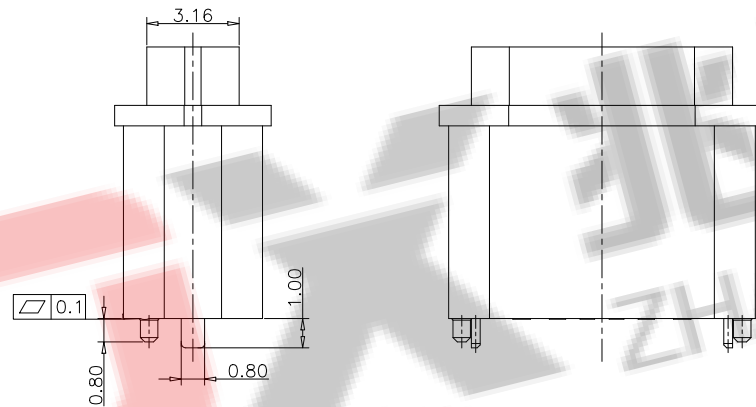
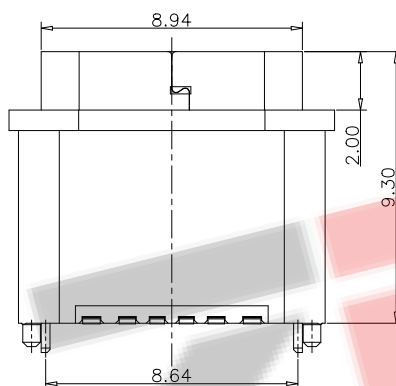


RoHS Compliant Halogen Free



RECOMMEND P.C.B LAYOUT (COMPONENT SIDE)  
TOLERANCE FOR PCB LAYOUT IS ±0.05



备注 (NOTE):

1. 电气特性:

1.1. 接触区: 接触电阻40mΩ Max, 允许10mΩ变化量. 测试条件: 20mv, 100mA下测量.

1.2. 接触电流: 3A VBUS引脚; 1.25A用于GND引脚; 其他引脚为0.25A.

1.3. 额定电压: 5V.

1.4. 耐电压: 100VAC.

1.5. 绝缘电阻: 至少100兆欧.

2. 机械性能:

3.1. 插入力: 0.5-2.0Kg

3.2. 拔出力: 0.6-2.04Kg

3.3. 插拔次数: 10000次.

4. 可焊性: 温度210-230°C, 时间10秒.

5. 工作环境: -20°C to +85°C.

USB TYPE C PIN ASSIGNMENTS

| PIN NUMBER | SIGNAL NAME | PIN NUMBER | SIGNAL NAME |
|------------|-------------|------------|-------------|
| A1         | GND         | B9         | VBUS        |
| A5         | CC1         | B5         | CC2         |
| A9         | VBUS        |            |             |
| A12        | GND         |            |             |

料号编码:

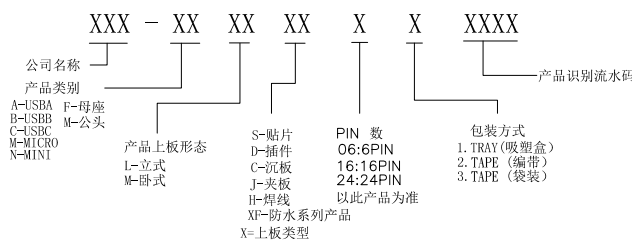


TABLE:

| NO | PART        | Q'TY | Material  |
|----|-------------|------|---|
| 1  | SHELL       | 1    | STAINLESS STEEL, NI PLATED                        |
| 2  | CONTACT     | 6    | COPPER STEEL, TIN/Au/NI PLATED                    |
| 3  | 1MD HOUSING | 1    | HIGH TEMPERATURE RESISTANT PLASTIC BLACK UL94 V-0 |
| 4  | 2MD HOUSING | 1    | HIGH TEMPERATURE RESISTANT PLASTIC BLACK UL94 V-0 |

**ZDX** 深圳市兆达鑫科技有限公司  
Shenzhen zhaodaxin Technology Co., Ltd

TITLE: TYPE C 6P 防水母座立式贴片H=9.3mm

PART NO.: ZDX-CFLSF062AL10

TEL: 0755-29888153

工程图

WEB: <http://www.szzdjmkj.com/>

THIRD ANGLE PROJECTION

UNIT:

SCALE:

SIZE:

SHEET:

mm

1:1

A4

1/2

