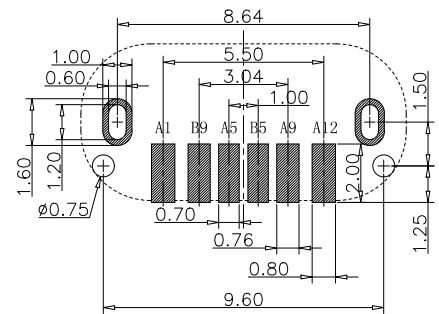
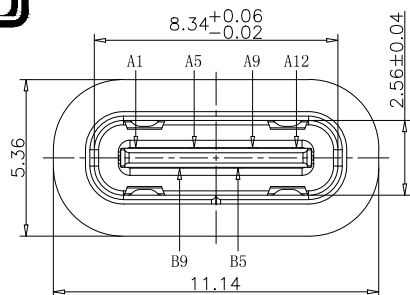
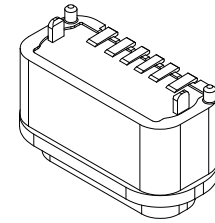
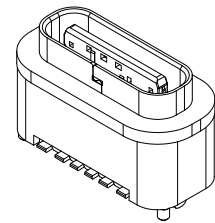
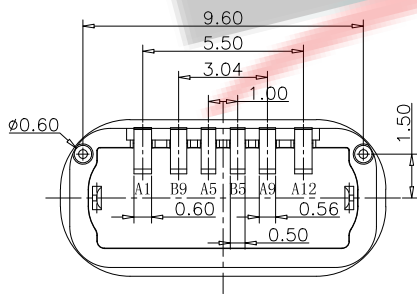
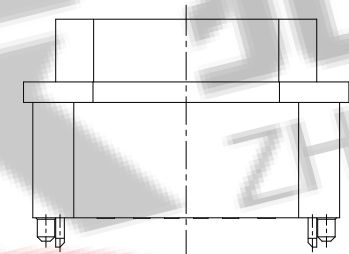
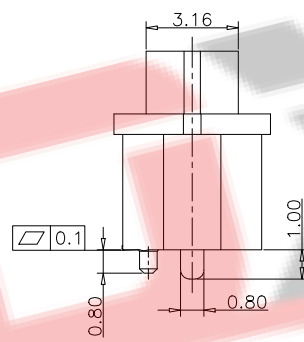
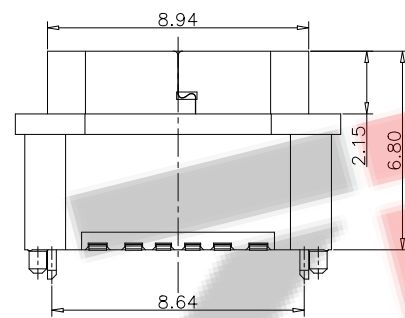


RoHS Compliant Halogen Free



RECOMMEND P.C.B LAYOUT (COMPONENT SIDE)
TOLERANCE FOR PCB LAYOUT IS ±0.05



customer drawing

备注 (NOTE):

1. 电气特性:

1.1. 接触区: 接触电阻40mΩ Max, 允许10mΩ变化量. 测试条件: 20mv, 100mA下测量.

1.2. 接触电流: 3A VBUS引脚; 1.25A用于GND引脚; 其他引脚为0.25A.

1.3. 额定电压: 5V.

1.4. 耐电压: 100VAC.

1.5. 绝缘电阻: 至少100兆欧.

2. 机械性能:

3.1. 插入力: 0.5-2.0Kg

3.2. 拔出力: 0.6-2.04Kg

3.3. 插拔次数: 10000次.

4. 可焊性: 温度210-230℃, 时间10秒.

5. 工作环境: -20℃ to +85℃.

USB TYPE C PIN ASSIGNMENTS

PIN NUMBER	SIGNAL NAME	PIN NUMBER	SIGNAL NAME
A1	GND	B9	VBUS
A5	CC1	B5	CC2
A9	VBUS		
A12	GND		

料号编码:

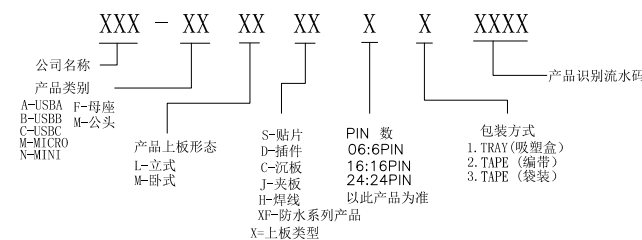


TABLE:

NO	PART	Q'TY	Material
1	SHELL	1	STAINLESS STEEL, NI PLATED
2	CONTACT	6	COPPER STEEL, TIN/Au/Ni PLATED
3	1MD HOUSING	1	HIGH TEMPERATURE RESISTANT PLASTIC BLACK UL94 V-0
4	2MD HOUSING	1	HIGH TEMPERATURE RESISTANT PLASTIC BLACK UL94 V-0

ZDX 深圳市兆达鑫科技有限公司
Shenzhen zhaodaxin Technology Co., Ltd

TITLE: TYPE C 6P 防水母座立式贴板H=6.8mm		PART NO.: ZDX-CFLSF062AL08		
工程图		TEL: 0755-29888153		
		WEB: http://www.szzdjmkj.com/		
THIRD ANGLE PROJECTION	UNIT: mm	SCALE: 1:1	SIZE: A4	SHEET: 1/2