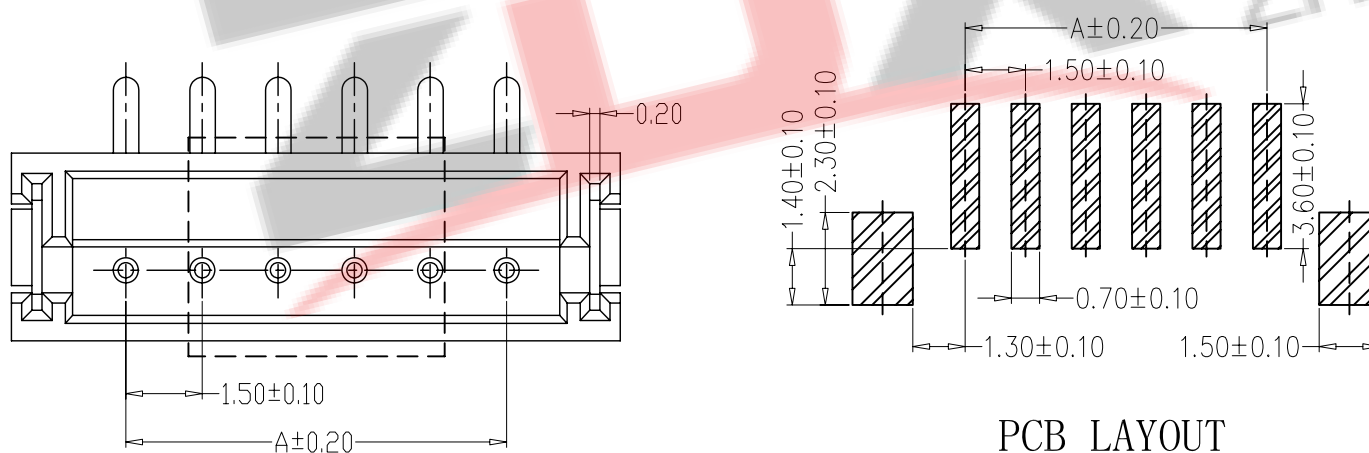


SPECIFICATIONS

- 1、Current Rating: 1A AC, DC
- 2、Voltage Rating: 100V AC, DC
- 3、Temperatuer Range: $-25^{\circ}\text{C} \sim +85^{\circ}\text{C}$
- 4、Contact Resistance: $20\text{m}\Omega$ Max
- 5、Insulation Resistance: $500\text{M}\Omega$ Min
- 6、Withstanding Voltang: 500V AC/minute
- 7、Material: Wafer Nylon 6T, UL94V-0
PIN Brass Tin-plated
Solder tad Phosphoric copper Tin-plated



PCB LAYOUT

| PIN=NA | 尺寸 (mm) | |
|-------------|---------|-------|
| | A | B |
| A1500LF-02A | 1.50 | 6.00 |
| A1500LF-03A | 3.00 | 7.50 |
| A1500LF-04A | 4.50 | 9.00 |
| A1500LF-05A | 6.00 | 10.50 |
| A1500LF-06A | 7.50 | 12.00 |
| A1500LF-07A | 9.00 | 13.50 |
| A1500LF-08A | 10.50 | 15.00 |
| A1500LF-09A | 12.00 | 16.50 |
| A1500LF-10A | 13.50 | 18.00 |
| A1500LF-11A | 15.00 | 19.50 |
| A1500LF-12A | 16.50 | 21.00 |
| A1500LF-20A | 28.50 | 33.00 |

| 制图 DRAWN | 变更内容 DESCRIPTION | 日期 DATE | GENERAL TOLERANCE | | 制图 DRAWING | 钱岳生 2013、07、01 | 料号 PART NO. | ZDX-A1500LF-NA | 版本 REV. | A |
|-------------|---------------------|------------|-------------------|------------|----------------|-------------------|-------------------|------------------------|--|-----|
| | | | X.±0.25 | X.*±2' | 审核 CHECK | 张名 2013、07、03 | 品名 TITLE | ZH立贴 WAFER SMT TYPE | 页次 SHEET | 1/1 |
| | | | .X±0.20 | .X*±1' | 核准 APPROVAL | 张名 2013、07、05 | 客户料号 CUTM. NO. | | | |
| | | | .XX±0.15 | .XX*±0.5' | 单位 UNITS | MM | 比例 SCALE | 1:1 | ZDX 深圳市兆达鑫科技有限公司 Shenzhen zhaodaxin Technology Co., Ltd | |
| | | | .XXX±0.10 | .XXX*±0.5' | | | | | | |