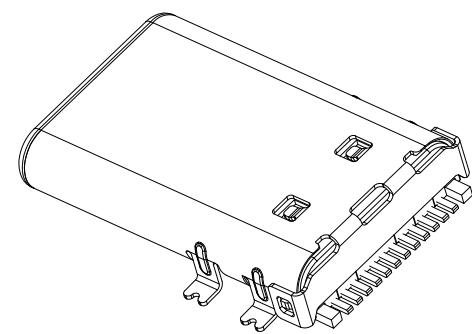
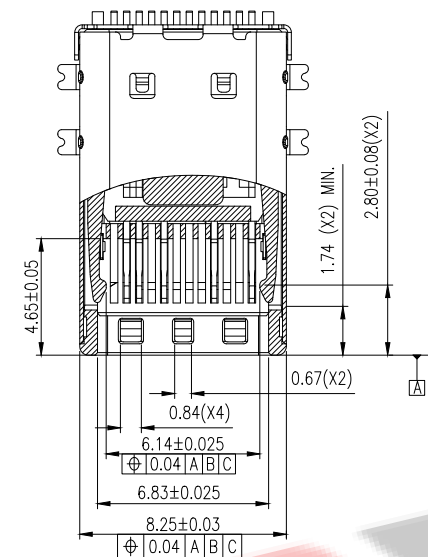
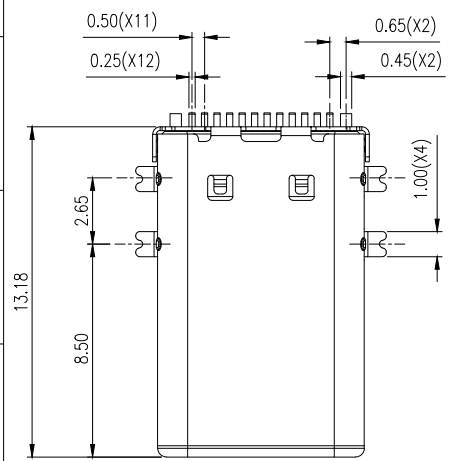


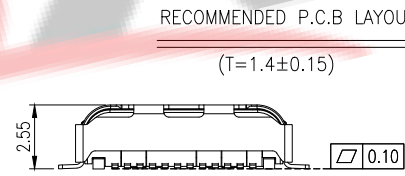
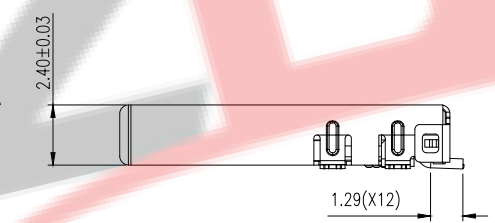
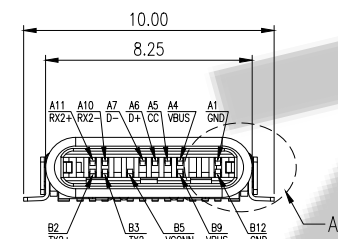
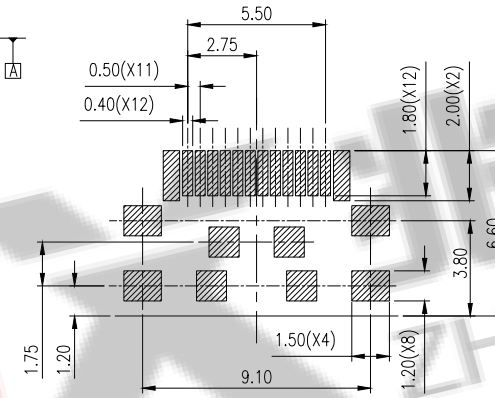
RoHS Compliant

Halogen Free

customer drawing



- NOTES:
- MATERIALS:**
 SHELL: STAINLESS STEEL, T=0.15±0.01mm
 SPRING: STAINLESS STEEL, T=0.10±0.01mm
 LATCH: STAINLESS STEEL, T=0.40±0.01mm
 HOUSING: THERMOPLASTIC
 MOLDING1: HIGH-THERMOPLASTIC+ BRONZE, T=0.20±0.01mm
 MOLDING2: HIGH-THERMOPLASTIC+ BRONZE, T=0.20±0.01mm
 - PLATING:**
 CONTACT: CONTACT AREA Au PLATED 30u"Min. OR REFER TO THE PART NO. CODE DEFINED. UNDER PLATE 80u"Min. NICKEL OVERALL. 120u" Min. TIN PLATING ON SOLDER TAIL
 SHELL: 30u"Min. NICKEL PLATING OVERALL
 - ELECTRICAL PERFORMANCE:**
 INSULATION RESISTANCE: 100Mohm MIN.
 CONTACT RESISTANCE: 40mohm MAX.
 DIELECTRIC WITHSTANDING: 100 VAC
 CURRENT RATING: 3A MIN.
 - MECHANICAL PERFORMANCE:**
 MATING FORCE: 5~20N
 UNMATING FORCE: 8~20N
 DURABILITY: 10000 CYCLES



料号编码:

XXX - XX XX XX X X XXXX

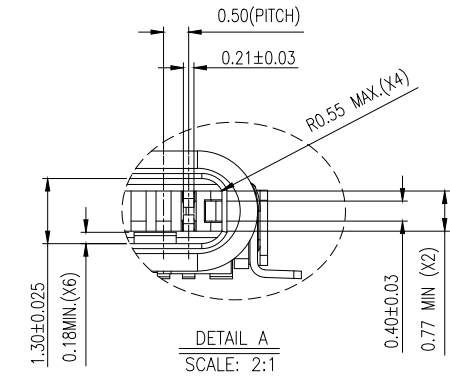
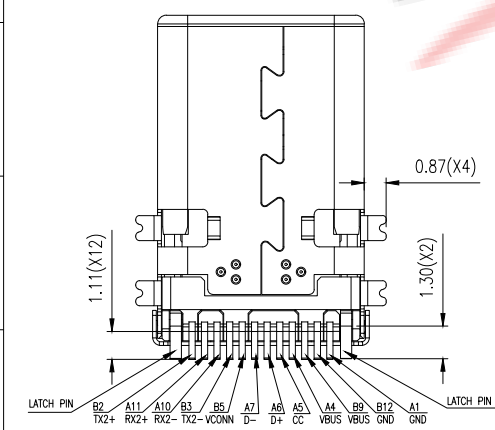
公司名称
产品类别
I-USB A 母座
II-USB B M-公头
C-USB C
M-MICRO
X-MINI

产品上板形态
S-贴片
D-插件
C-沉板
J-夹板
H-引线
X-防水系列产品
X=上板类型

PIN 数
06:6PIN
16:16PIN
24:24PIN
以此产品为准

包装方式
1. TRAY (吸塑盒)
2. TAPE (编带)
3. TAPE (袋装)

产品识别流水码



ZDX 深圳市兆达鑫科技有限公司
Shenzhen zhaodaxin Technology Co., Ltd

TITLE: TYPE-C 12PIN四脚贴板SMT公头 长L=13.18MM

PART NO.: ZDX-CMMS1220016

TEL: 0755-29888153

WEB: <http://www.szzdjmkj.com/>

工程图

THIRD ANGLE PROJECTION

UNIT:	SCALE:	SIZE:	SHEET:
mm	1:1	A4	1/2