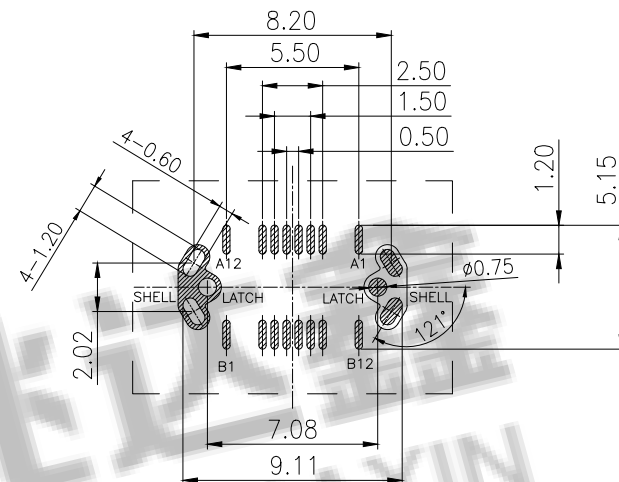
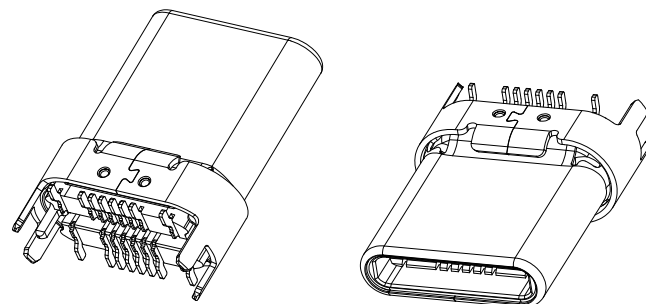
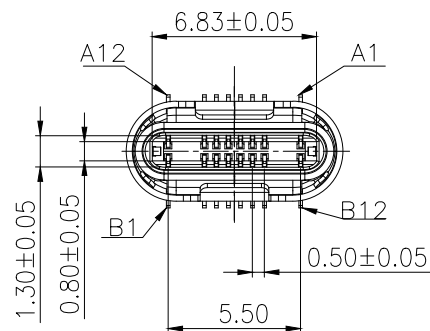


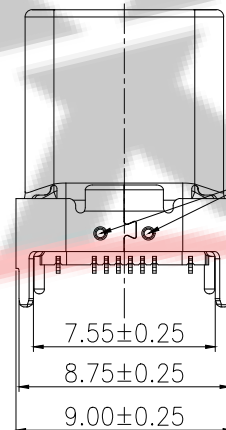
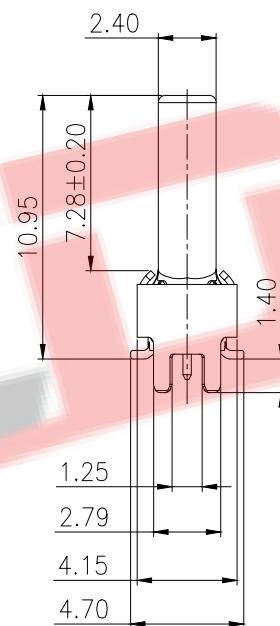
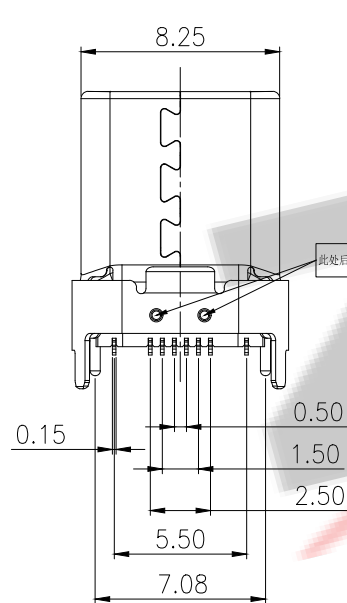
RoHS Compliant

Halogen Free

customer drawing



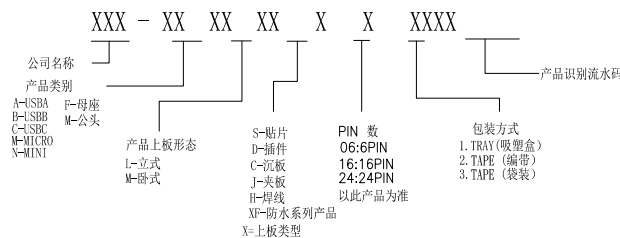
RECOMMEND P.C.B LAYOUT (COMPONENT TOP VIEW)
TOLERANCE: ±0.05



此处后续为激光焊接点

此处后续为激光焊接点

料号编码:



ZDX 深圳市兆达鑫科技有限公司
Shenzhen zhaodaxin Technology Co., Ltd

TITLE: TYPE C 公头 16PIN 直立式 10.95H SMT
PART NO.: ZDX-CMLS1620024
TEL: 0755-29888153
WEB: <http://www.szzdjmj.com/>

工程图
THIRD ANGLE PROJECTION
UNIT: mm
SCALE: 1:1
SIZE: A4
SHEET: 1/3

RoHS Compliant

Halogen Free

customer drawing

NOTES:

1. MATERIAL

- 1.1 HSG: HIGH TEMPERATURE THERMOPLASTIC UL94V-0; COLOR: BLACK
- 1.2 HOLDER: HIGH TEMPERATURE THERMOPLASTIC UL94V-0; COLOR: BLACK
- 1.3 CONTACT: COPPER ALLOY
- 1.4 LATCH: STAINLESS STEEL
- 1.5 SHELL: STEEL
- 1.6 OUT SHELL: STEEL

2. FINISH:

2.1 CONTACT:

- 5u" [0.127um] MIN. Au PLATING ON CONTACT AREA.
- 100u" [2.54um] MIN. TIN PLATING ON SOLDER TAIL AREA.
- 50u" [1.27um] MIN. NICKEL. UNDERPLATING ON ALLOVER AREA.

2.2 LATCH:

- 100u" [2.54um] MIN. TIN PLATING ON SOLDER TAIL AREA.
- 50u" [1.27um] MIN. NICKEL. UNDERPLATING ON ALLOVER AREA.

2.3 SHELL

PEARL NICKEL

2.4 OUT SHELL

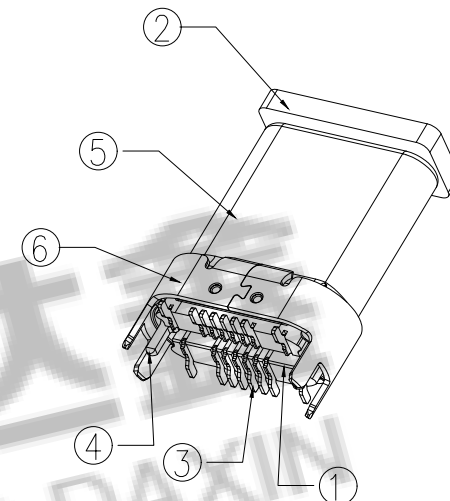
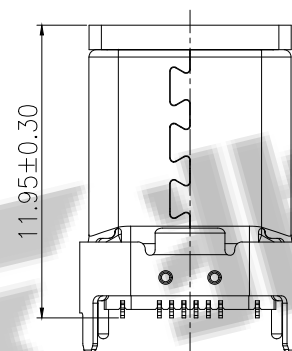
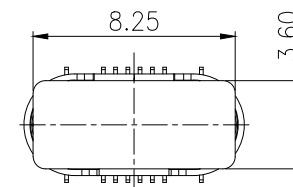
WELDABLE NICKEL

3. DIELECTRIC WITHSTANDING VOLTAGE: 300V AC/MINUTE FOR PER PIN.

4. INSULATION RESISTANCE: 100MΩ BETWEEN ADJACENT CONTACTS AT 300V DC .

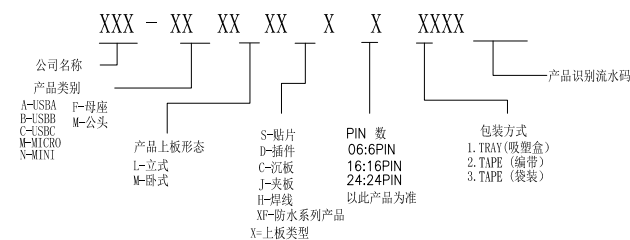
5. TEMPERATURE RISING: 5A 30V FOR VBus AND GND PIN.

6. DATE CODE INFORMATION:



PLUG WITH HOLDER

料号编码:



PINS DESCRIPTION
PLUG FRONT VIEW

A12	A11	A10	A9	A8	A7	A6	A5	A4	A3	A2	A1
GND			VBus	SBU1	D-	D+	CC	VBus			GND
GND			VBus	Vconn			SBU2	VBus			GND
B1	B2	B3	B4	B5	B6	B7	B8	B9	B10	B11	B12

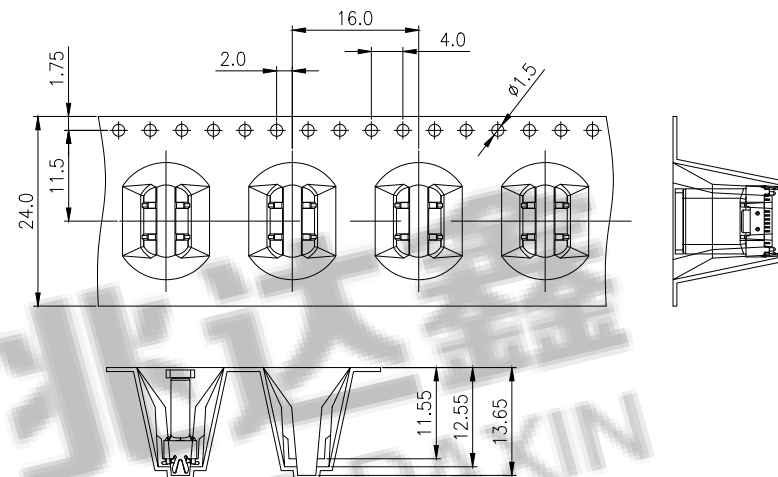
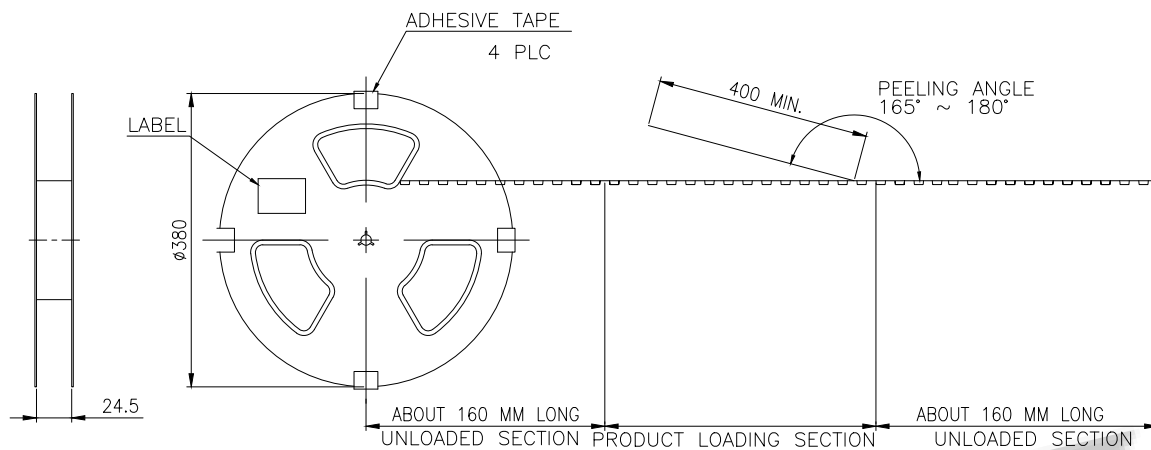
ZDX 深圳市兆达鑫科技有限公司
Shenzhen zhaodaxin Technology Co., Ltd

TITLE: TYPE C 公头 16PIN 直立式 10.95H SMT		PART NO.:ZDX-CMLS1620024		
工程图		TEL:0755-29888153		
THIRD ANGLE PROJECTION		WEB: http://www.szzdjmkj.com/		
UNIT: mm	SCALE: 1:1	SIZE: A4	SHEET: 2/3	

RoHS Compliant

Halogen Free

customer drawing



NOTES:

1. MATERIAL:

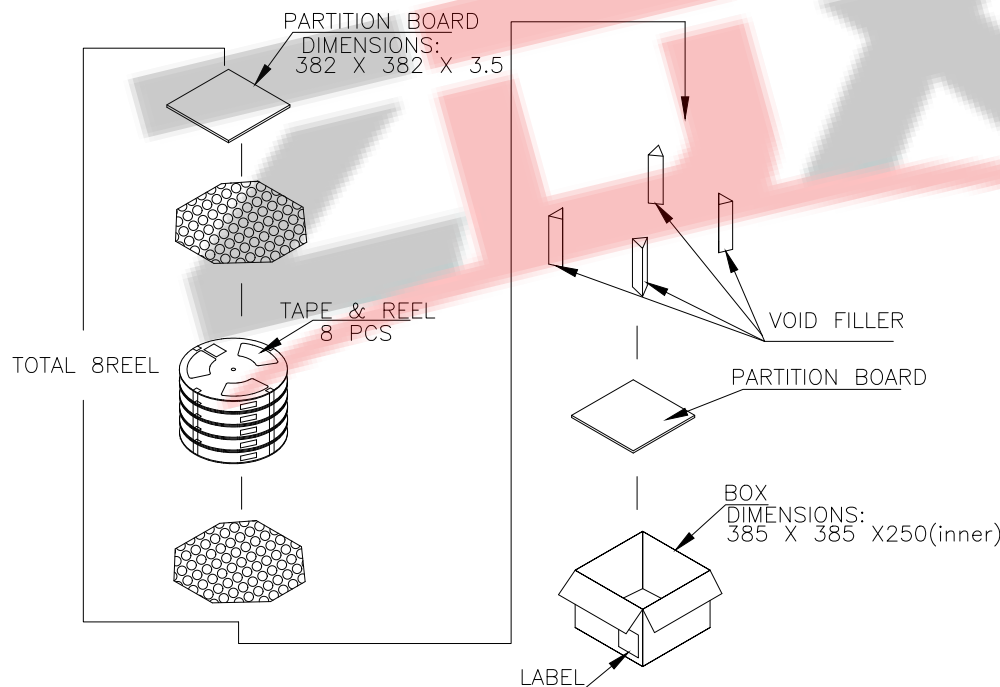
COVER TAPE: PET, COLOR: TRANSPARENT;
 CARRIER TAPE: PS, COLOR: TRANSPARENT
 REEL: PS, COLOR: BLUE

2. QUANTITY: SEE TABLE

3. WEIGHT: SEE TABLE

4. PEELING RESISTANCE: 10gf~130gf (for 12~56mm)

5. PEELING SPEED: 300mm/MINUTES



400	8	3200
PCS/REEL	REELS/BOX	PCS/BOX

ZDX 深圳市兆达鑫科技有限公司
 Shenzhen zhaodaxin Technology Co., Ltd

TITLE: TYPE C 公头 16PIN 直立式 10.95H SMT PART NO.:ZDX-CMLS1620024

TEL:0755-29888153

工程图

WEB: <http://www.szzdjmj.com/>

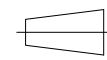
THIRD ANGLE PROJECTION

UNIT:

SCALE:

SIZE:

SHEET:



mm

1:1

A4

3/3