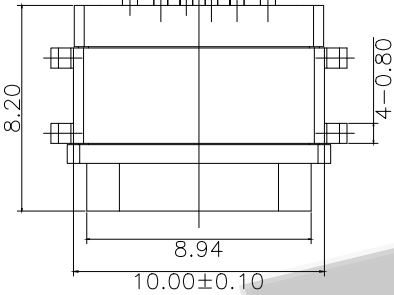
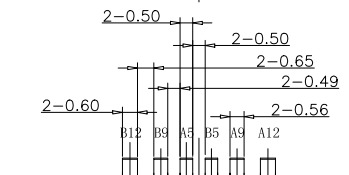
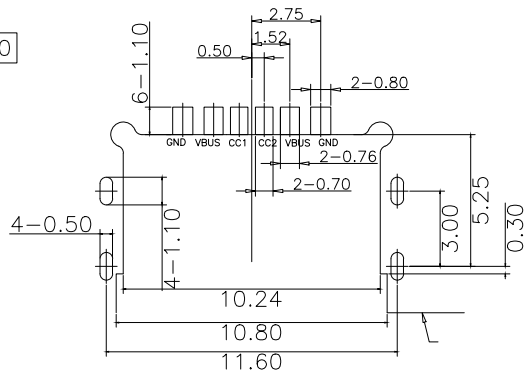
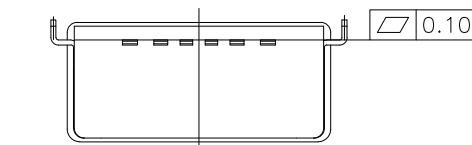


NOTES:

SPECIFICATION:

- 1.CURRENT RATING: 3.0A MAX
- 2.VOLTAGE: 100 VAC
- 3.TEMPERATURE RANGE: -30°C~+85°C
- 4.CONTACT RESISTANCE: 40 MILLION HM MAX
- 5.INSULATION RESISTANCE: 100 MEG OHMS MIN
- 6.LNSERTION FORCE: 5N~20N
- 7.UNMATING FORCE: 8N-20N
- 8.DURABILITY: 10000 CYCLES
- 9.WATER PROOFNESS:THIS PRODUCT IS BASED ON IPX6.



RECOMMEND P.C.B LAYOUT(COMPONENT SIDE)
TOLERANCE FOR PCB LAYOUT IS ±0.05

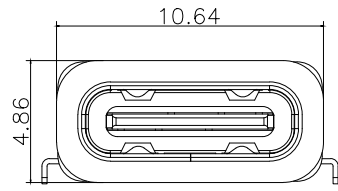
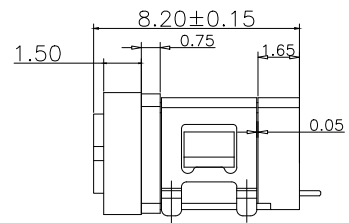
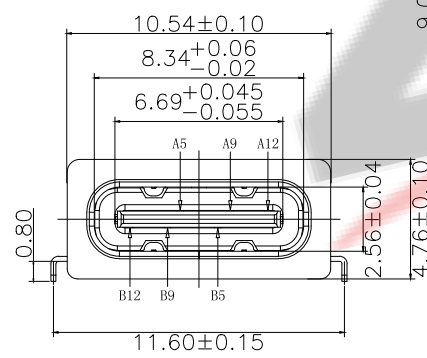
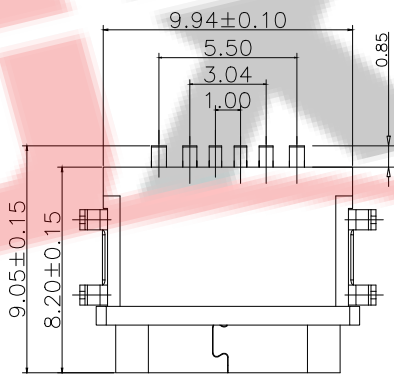
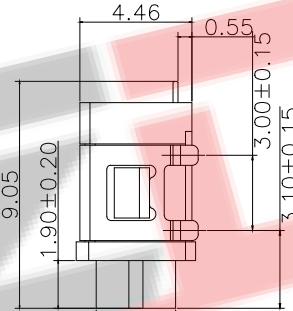
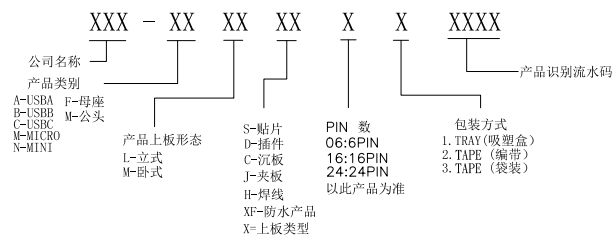


TABLE:

| NO | PART | Q'TY | Material |
|----|-----------------|------|---|
| 1 | SHELL | 1 | STAINLESS STEEL,NI PLATED |
| 2 | CONTACT | 6 | COPPER STEEL,TIN/Au/NI PLATED |
| 3 | MID PLATE | 1 | STAINLESS STEEL,NO PLATING |
| 4 | 1MD HOUSING | 1 | HIGH TEMPERATURE RESISTANT PLASTIC BLACK UL94 V-0 |
| 5 | 2MD HOUSING | 1 | HIGH TEMPERATURE RESISTANT PLASTIC BLACK UL94 V-0 |
| 6 | SHIELDING PLATE | 1 | STAINLESS STEEL,NI PLATED |

料号编码:



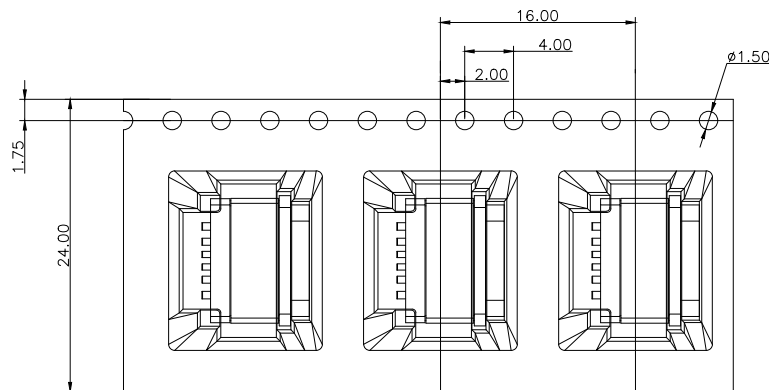
USB TYPE-C PIN ASSIGNMENTS

| PIN NUMBER | A1 | A2 | A3 | A4 | A5 | A6 | A7 | A8 | A9 | A10 | A11 | A12 |
|-------------|-----|-----|-----|------|-----|----|----|-----|------|-----|-----|-----|
| SIGNAL NAME | | | | | CC1 | | | | Vbus | | | GND |
| PIN NUMBER | B12 | B11 | B10 | B9 | B8 | B7 | B6 | B5 | B4 | B3 | B2 | B1 |
| SIGNAL NAME | GND | | | Vbus | | | | CC2 | | | | |

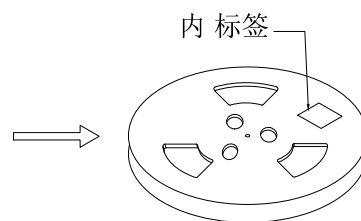
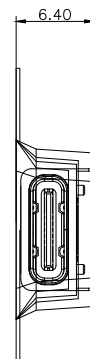
加防水圈示意图

深圳市兆达鑫科技有限公司
Shenzhen zhaodaxin Technology Co., Ltd

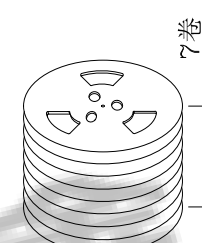
| | | | | |
|---|-------------|--|-------------|---------------|
| TITLE: TYPE-C 6PIN四脚沉板SMT防水母座 防水等级 IPX7级 | | PART NO.: ZDX-CFMCF62CY22 | | |
| 工程图 | | TEL: 0755-29888153 | | |
| THIRD ANGLE PROJECTION | | WEB: http://www.szzdjmkj.com/ | | |
| | UNIT: mm | SCALE: 1:1 | SIZE: A4 | SHEET: 1/2 |



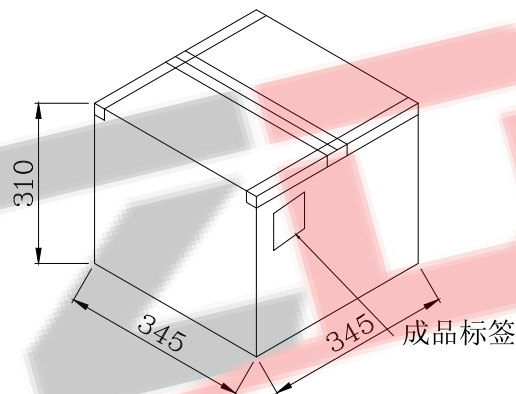
① 产品入载带示意图



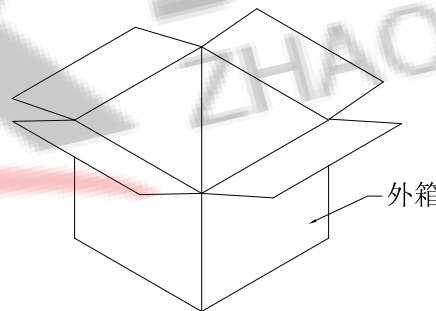
② 卷盘贴标签示意图



③ 7盘产品叠层示意图



⑤ 外箱封箱示意图



④ 产品入外箱示意图

| | | |
|-----------------|------|--------|
| | REEL | CARTON |
| CONNECTOR (PCS) | 700 | 4900 |

包装说明:

1. 将检验好的成品;对插口朝前放入载带;每卷装700PCS产品;具体如图一所示
2. 将包装好的产品;每盘必需贴上内标签;具体如图二所示
3. 将贴好内标签的产品每7盘叠;具体如图三所示
5. 装好后并封好纸箱及贴好相关标签;具体如图五所示;
(产品包装的标签,如客户有要求,请按客户要求包装出货)
6. 载带前面留16PCS空格,后面留16PCS空格
7. COVER与CARRY剥离力:50-125g,速度:300mm/分钟左右,剥离角度:165°-180°



深圳市兆达鑫科技有限公司

Shenzhen zhaodaxin Technology Co., Ltd

| | | | | |
|----------------------------------|-------|--|-------|--------|
| TITLE: | | PART NO.: ZDX-CFMSF62CY22 | | |
| TYPE-C 4PIN/6PIN/16PIN板上防水母座包装规范 | | TEL: 0755-29888153 | | |
| 工程图 | | WEB: http://www.szzdjmj.com/ | | |
| THIRD ANGLE PROJECTION | UNIT: | SCALE: | SIZE: | SHEET: |
| | mm | 1:1 | A4 | 1/2 |